

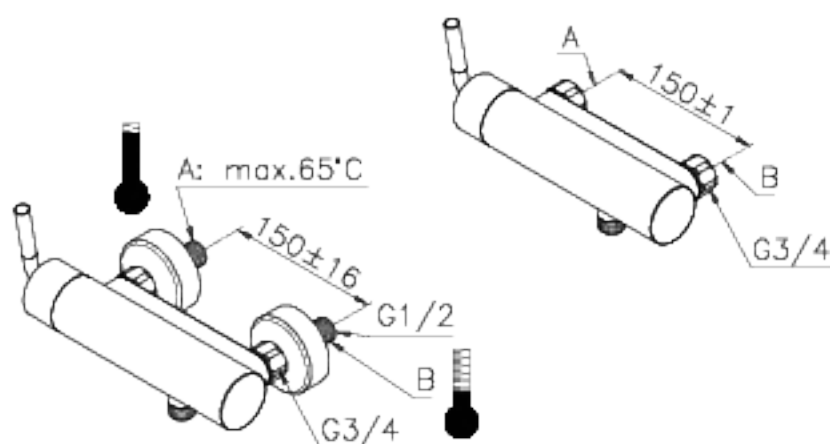
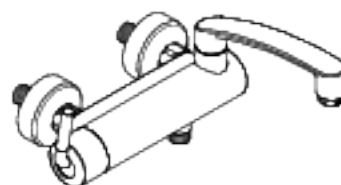
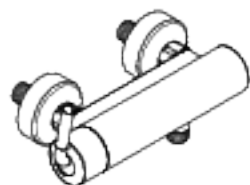
**Installationsvejledning**  
**Montageanweisung**  
**Installation instruction**  
**Instructions d'installation**  
**Istruzioni di installazione**  
**Installatie- instructies**  
**Instrucciones de instalación**

**damixa™**

Østblikvej 2, 5240 Odense NØ, Denmark  
 Tel +45 63 102 210  
 E-mail: damixa@damixa.com  
 Homepage: www.damixa.com

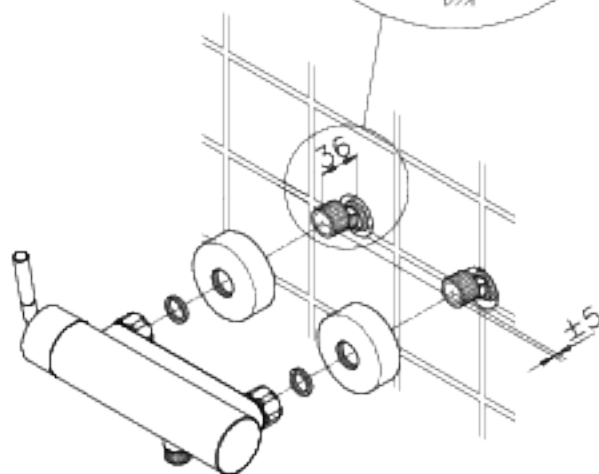
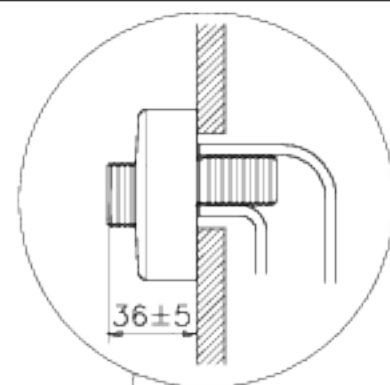
01.08

20030.00

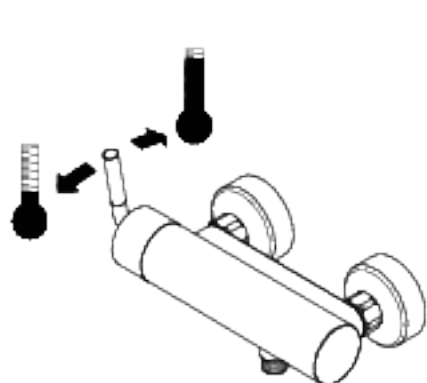


A,B:120-600Kpa(1.2-6 bar)

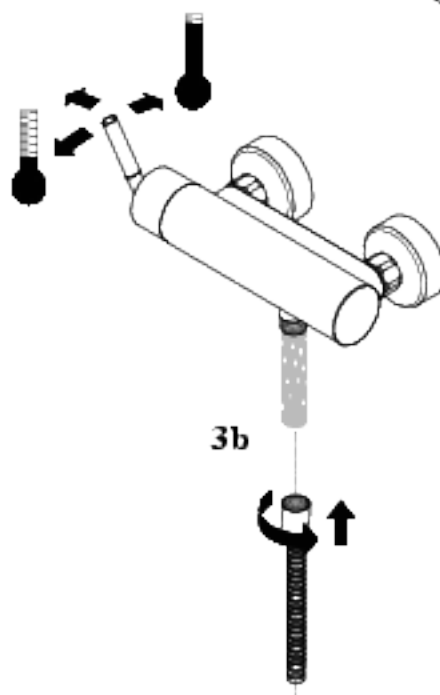
1



2

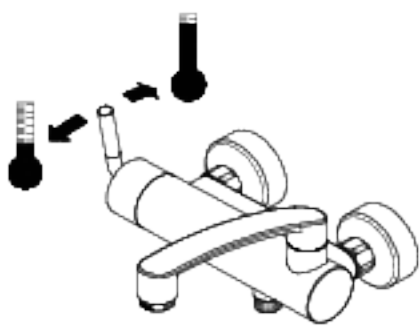


3a

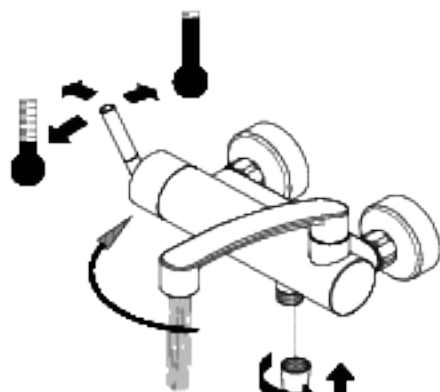


3b

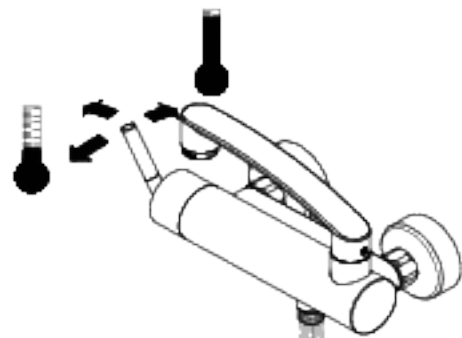
1



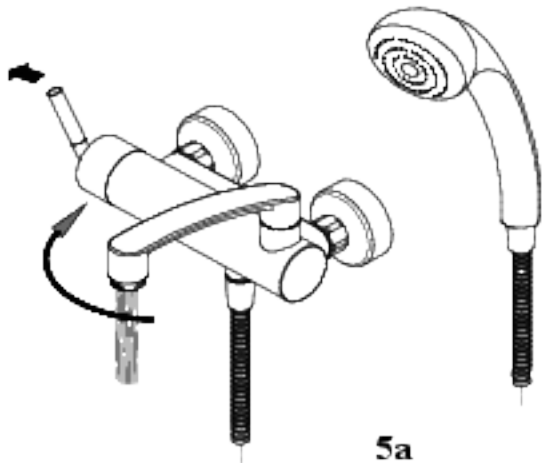
4a



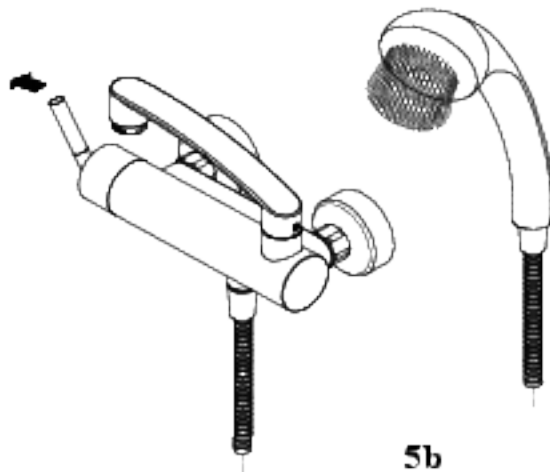
4b



4c



5a



5b

ECO-klick!

50%

100%

