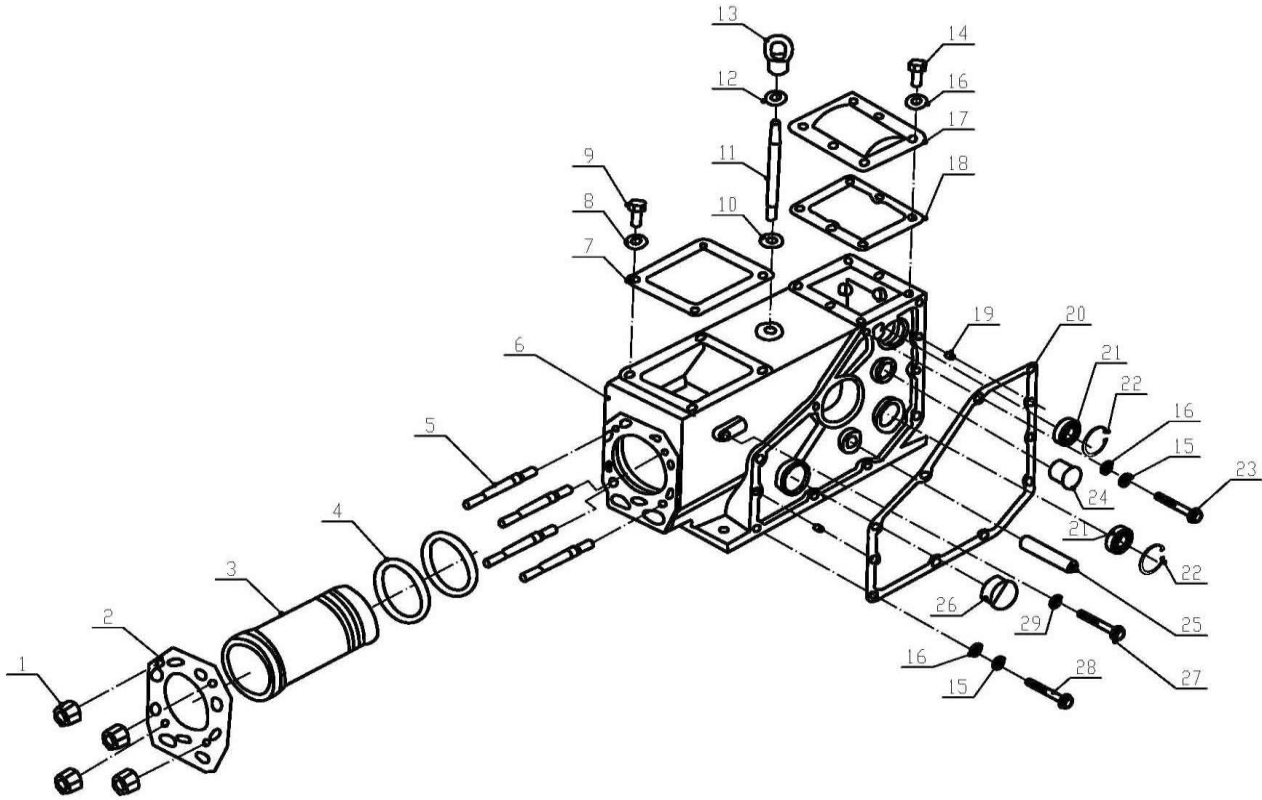
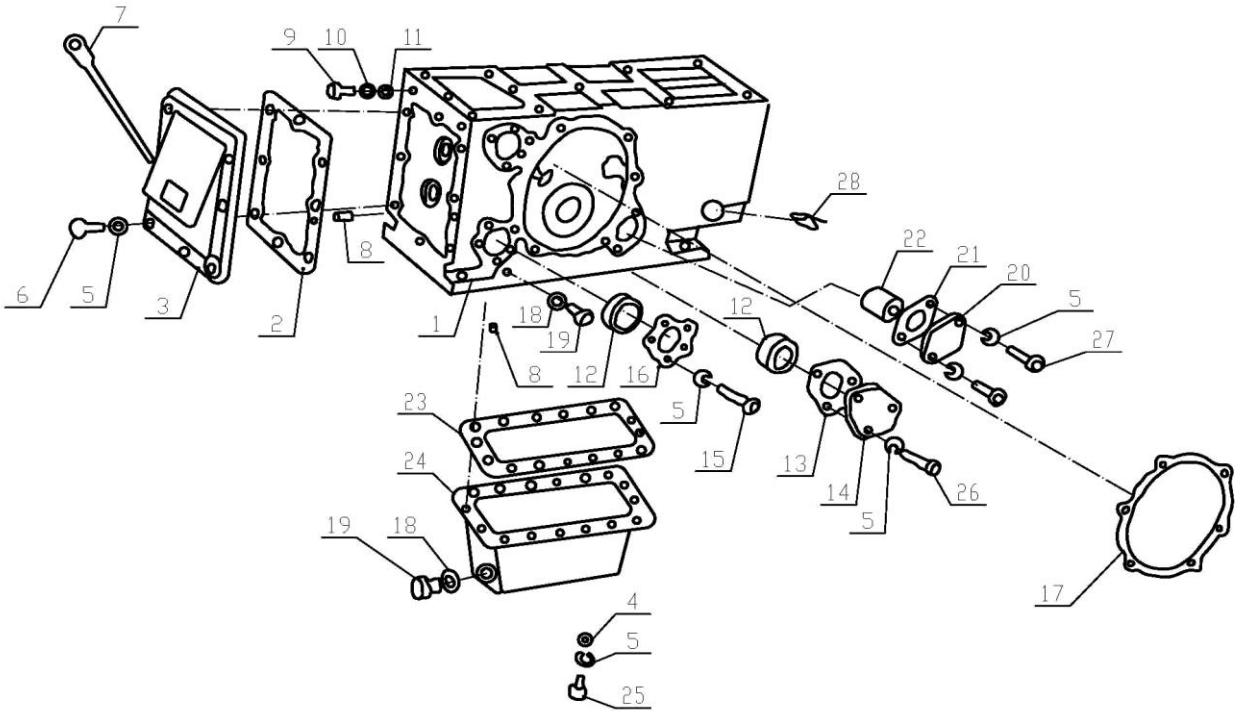


1. Cylinder block assy -1



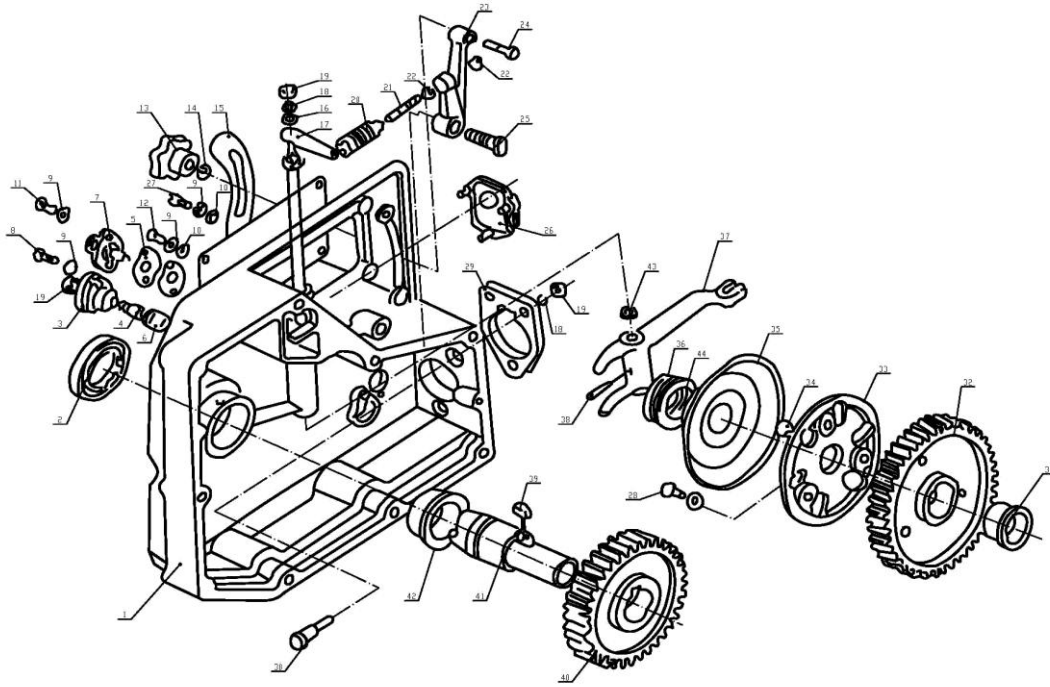
No.	CODE	DESCRIPTION	QTY/UNIT	PRICE	TOTAL VALUE	REMARK
1	014020019400	Cylinder head nut	4			
2	014020019500	Cylinder head gasket	1			
3	014020019600	Cylinder liner	1			
4	014020019700	Cylinder liner water seal ring	2			
5	014020009200	Cylinder head stub	4			
6	014020000100	Cylinder block	1			
7	014020019800	Hopper packing	1			
8	513011000009	Washer 10-140HV	4			
9	511141002501	Hexagon bolt M10x25 Zn.D	4			
10	014020001100	Washer	1			
11	014020019900	Lifting stud	1			
12	513011200009	Washer 12-140HV	1			
13	014020020000	Lifting eye nut	1			
14	511140801801	Hexagon bolt M8x18	6			
15	513020800000	Spring washer φ 8	9			
16	513010800011	Washer 8-140HV	15			
17	014020020100	Upper cover of the cylinder block	1			
18	014020020200	Packing sheet if upper cover	1			
19	014020009200	Locating pin	2			
20	014020020300	Gear casting packing	1			
21	521010010501	Bearing 6205	2			
22	014020020400	Circlip	2			
23	511140809501	Hexagon bolt M8x95	3			
24	014020020500	Starting shaft bushing (A)	1			
25	014020020600	Speed-governing gear shaft	1			
26	014020020700	Camshaft front bushing	1			
27	511141002501	Hexagon bolt M10x25	1			
28	511140802501	Hexagon bolt M8x25	6			
29	513011000009	Washer 10-140HV	1			

2. Cylinder block assy -2



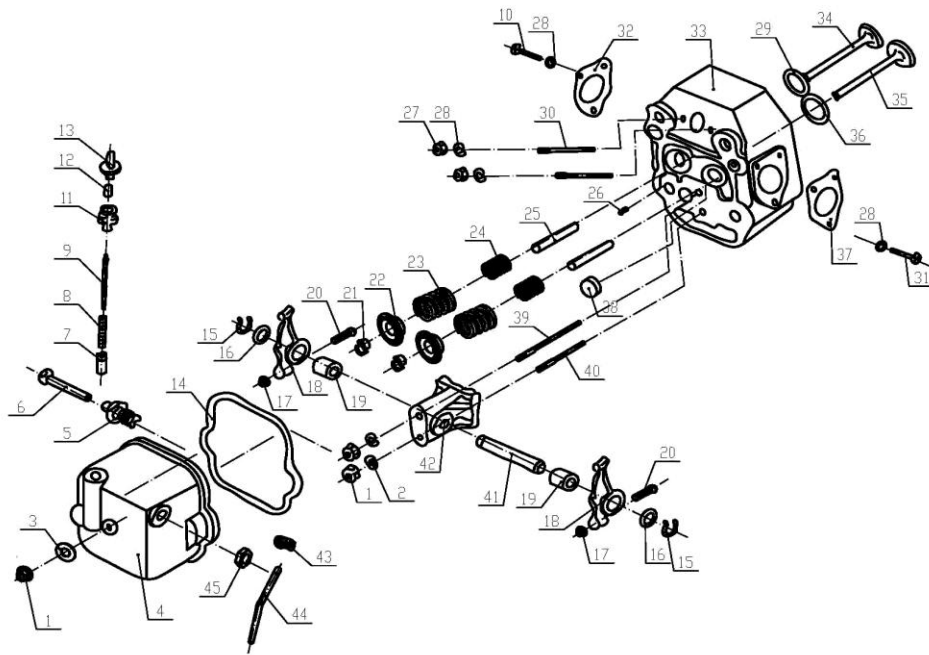
No.	CODE	DESCRIPTION	QTY/UNIT	ORDER QTY	PRICE	TOTAL VALUE	REMARK
1	014020000100	Cylinder block	1				
2	014020000200	Packing of the rear cover	1				
3	014020000300	Rear cover	1				
4	513010800011	Washer ϕ 8-140HV	16				
5	513010800001	Washer ϕ 8	38				
6	511140802501	Hexagon bolt M8x25	8				
7	014020000400	Oil dipstick	1				
8	014020000500	Oil hole plug on the block	2				
9	511011002003	Hexagon bolt M10x20	2				
10	513011000001	Washer ϕ 10	2				
11	513011000009	Washer ϕ 10-140HV	2				
12	521010010501	Bearing 6205	2				
13	014020000700	Packing for balancing shaft cover	3				
14	014020000800	Balance shaft cover	1				
15	511011840001	Hexagon bolt M18x40	3				
16	014020000900	Packing for lubricating oil pump	1				
17	014020001000	Main bearing housing mounting shim	1				
18	014020001100	Washer	2				
19	014020001200	Plug	2				
20	014020001300	Camshaft cover	1				
21	014020001400	Packing for camshaft cover	1				
22	014020001500	Camshaft rear sump	1				
23	014020001600	Packing for oil sump	1				
24	014020001700	Oil pump	1				
25	511010818001	Hexagon M8x18	16				
26	511140802501	Hexagon M8x25	3				
27	511140802501	Hexagon M8x25	2				
28	014020000600	Water drain cock ZG3/8	1				

3. Gear Casing Assembly



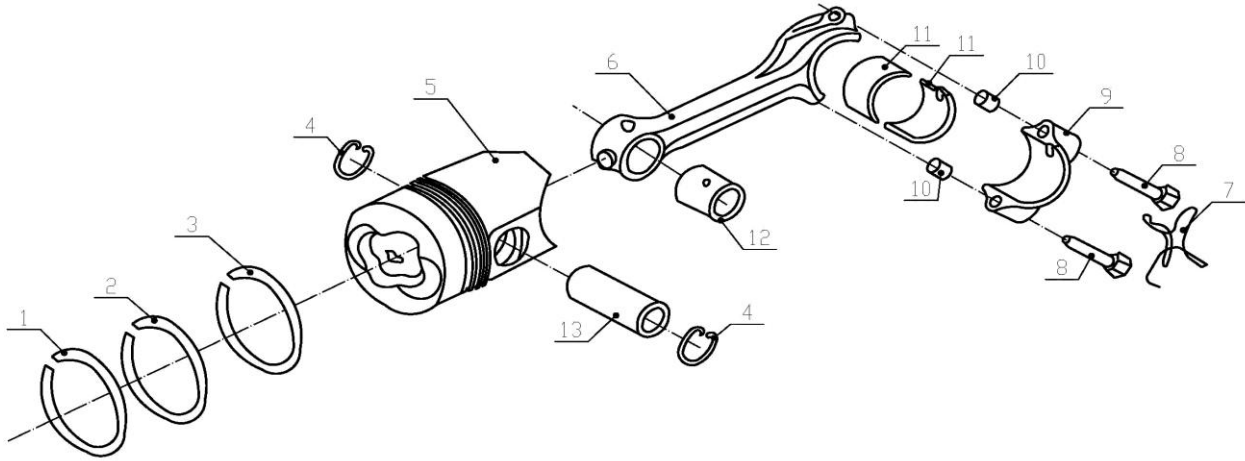
No.	CODE	DESCRIPTION	QTY/UNIT	ORDER QTY	PRICE	TOTAL VALUE	REMARK
1	014020001800	Gear casing	1				
2	522010101701	Oil seal ring ϕ 35x58x12	1				
3	014020001900	Packing for fuel priming handle bushing	1				
4	014020002000	Fuel priming handle bushing	1				
5	014020002100	Cover	1				
6	014020002200	Fuel limiter packing	1				
7	014020002300	Fuel limiter	1				
8	515060602000	Screw M6x20	1				
9	513010600001	Washer ϕ 6	8				
10	513010600009	Washer ϕ 6-140HV	9				
11	515060601600	Screw M6x16	2				
12	014020002400	Name plate	1				
13	014020002500	Speed control lever knob	1				
14	513010800009	Washer ϕ 8-140HV	2				
15	014020002600	Speed indicating panel	1				
16	014020002700	Governor fork shaft	1				
17	014020002800	Governor arm	1				
18	513010800001	Washer ϕ 8	4				
19	512010800002	Hexagon nut M8	4				
20	014020002900	Governor spring	1				
21	014020003000	Adjusting screw	1				
22	512010600002	Hexagon nut M6	2				
23	014020003100	Speed control lever	1				
24	511140804001	Hexagon bolt M8x40	1				
25	014020003200	Speed control lever shaft	1				
26	014020003300	Crank shaft breather	1				
27	515060601202	Bottom head cap screw M6x12	6				
28	014020003400	Bottom head cap screw M6x18	6				
29	014020003500	Shim for fuel injection pump	As required				
30	014020003600	Fuel injection pump mounting bolt	3				
31	014020003700	Governor gear bushing	1				
32	014020003800	Governor gear	1				
33	014020003900	Governor ball space	1				
34	014020004000	Steel ball 16	6				
35	014020004100	Governor ball race	1				
36	521010011201	Single direction thrust ball bearing 51106	1				
37	014020004200	Governor fork	1				
38	521010011301	Taper pin 4x25	1				
39	519010101400	Flat key 8x6	1				
40	014020004300	Starting gear	1				
41	014020004400	Starting gear shaft	1				
42	014020004500	Starting gear shaft bushing	1				
43	014020004600	Adjusting washer	As required				
44	014020004700	Packing for governor ball race	As required				

4. Cylinder head assy



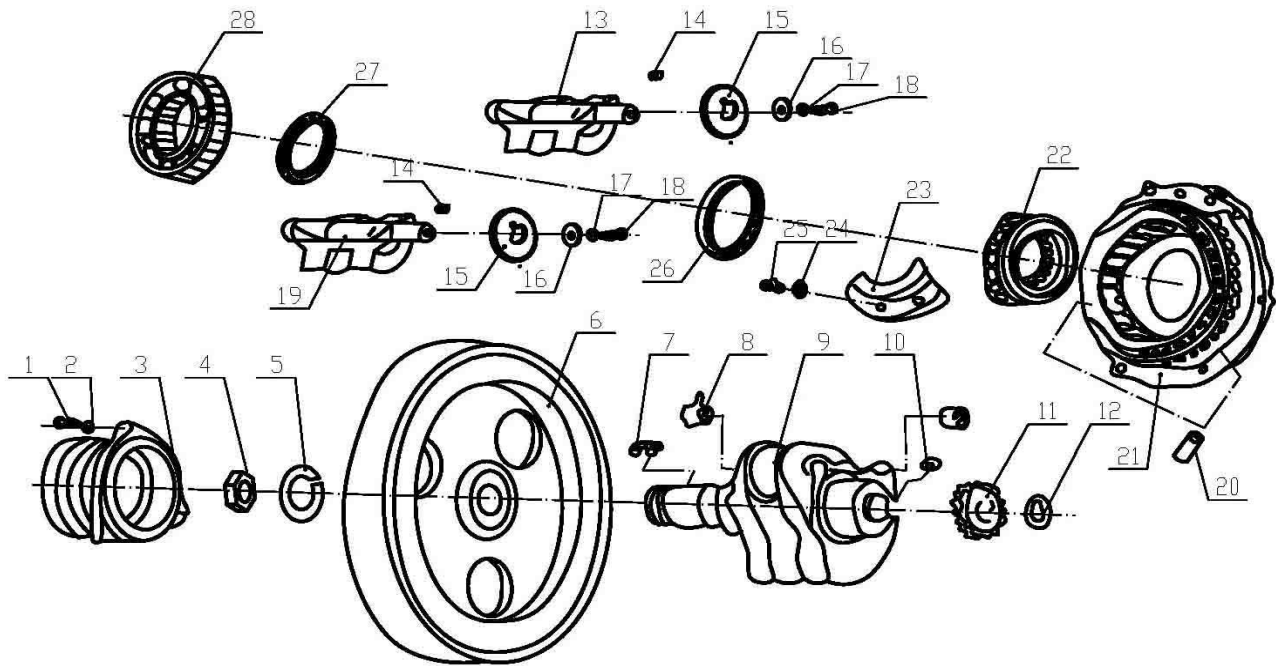
No.	CODE	DESCRIPTION	QTY/UNIT	ORDER QTY	PRICE	TOTAL VALUE	REMARK
1	512011000000	Hexagon nut M10	3				
2	513011000002	Washer ϕ 10	2				
3	513011000009	Washer ϕ 10-140HV	1				
4	014020004800	Cylinder head cover	1				
5	014020004900	Decompression shaft bushing	1				
6	014020005000	Decompression shaft	1				
7	014020005100	Oil indicator piston	1				
8	014020005200	Oil indicator spring	1				
9	014020005300	Oil indicator spindle	3				
10	511140803001	Hexagon bolt M8x30	1				
11	014020005400	Oil indicator union	1				
12	014020005500	Red float of oil indicator	1				
13	014020005600	Cap of float of oil indicator	1				
14	014020005700	Cylinder head cover packing	1				
15	014020005800	Circlip for rocker arm shaft	2				
16	014020005900	Washer for rocker arm shaft	2				
17	512010800002	Hexagon nut M8	2				
18	014020006000	Rocker arm	2				
19	014020006100	Rocker arm bushing	2				
20	014020003000	Adjusting screw	2				
21	014020006300	Valve collet	2 set				
22	014020006400	Valve spring selt	2				
23	014020006500	Out Vale spring	2				
24	014020006600	Inner valve spring	2				
25	014020006700	Valve guide	2				
26	514010000200	Locating pin B5x12	1				
27	512010800002	Hexagon nut M8	2				
28	513010800002	Washer ϕ 8	8				
29	014020006800	Exhaust valve seat	1				
30	014020006900	Stud for injector clamping plat	2				
31	512010800002	Hexagon bolt M8x25	3				
32	014020007000	Exhaust pipe packing	1				
33	014020007100	Cylinder head	1				
34	014020007200	Exhaust valve	1				
35	014020007300	Intake valve	1				
36	014020007400	Intake valve seat	1				
37	014020007500	Intake pipe packing	1				
38	014020001200	Plug	3				
39	014020007700	Long stud for rocker arm shaft support	1				
40	014020007800	Short stud for rocker arm shaft support	1				
41	014020007900	Rocker arm shaft	1				
42	014020008000	Rocker arm shaft support	1				
43	014020008100	Decompression lever spring	1				
44	014020008200	Decompression lever	1				
45	014020008300	Set nut	1				

5. Piston & Connecting Rod Assy



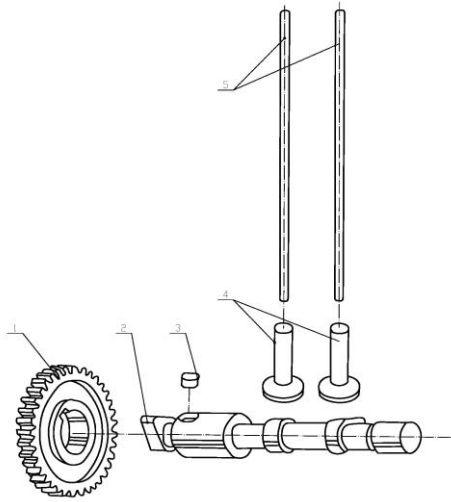
No.	CODE	DESCRIPTION	QTY/UNIT	ORDER QTY	PRICE	TOTAL VALUE	REMARK
1	014020008400	Copression ring (I)	1				
2	014020008500	Copression ring (I)	2				
3	014020008600	Oil scraper ring	1				
4	518043500000	Cirlip 35	1				
5	014020008700	Piston	1				
6	014020008800	Connecting rod	1				
7	014020008900	Locking wire	2				
8	014020009000	Connecting rod bolt	2				
9	014020009100	Connecting rod cap	1				
10	014020009200	Guide	2				
11	014020009300	Connecting rod bearing shell	1 set				
12	014020009400	Connecting rod bushing	1				
13	014020009500	Piston pin	1				

6. Crankshaft & Flywheel



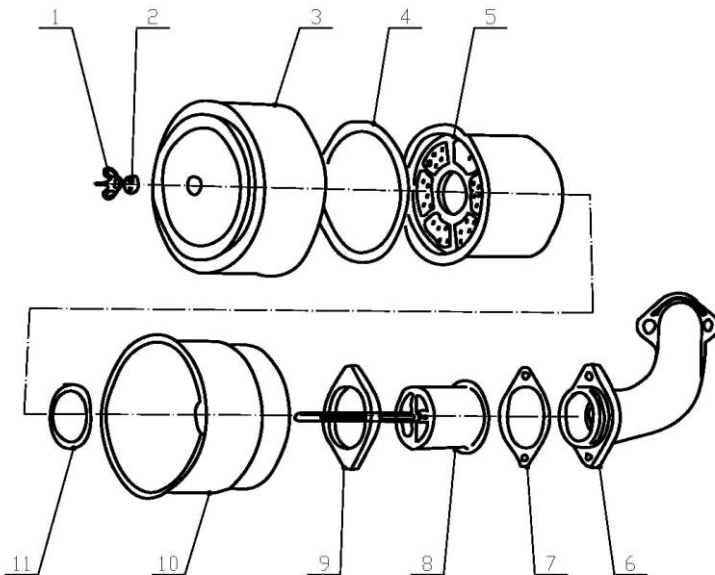
No.	CODE	DESCRIPTION	QTY/UNIT	ORDER QTY	PRICE	TOTAL VALUE	REMARK
1	511011035001	Hexagon bolt M10x35	3				
2	513011000002	Washer ϕ 10	3				
3	014020009600	V-belt pulley	1				
4	014020009700	Flywheel nut	1				
5	014020009800	Lock washer	1				
6	014020009900	Flywheel	1				
7	519010101500	Flat key 12x40	1				
8	014020010000	Crankshaft screw plug	2				
9	014020010100	Crankshaft	1				
10	519010101600	Flat key 8x16	1				
11	014020010200	Crankshaft timing gear	1				
12	518043000000	Circlip ϕ 30	1				
13	014020010300	Upper balancing shaft	1				
14	519010101700	Flat key C6x6	2				
15	014020010400	Balancing shaft gear	2				
16	014020010500	Washer	1				
17	513020800000	Spring washer ϕ 8	2				
18	511010818001	Hexagon bolt M8x18	2				
19	014020010600	Lower balancing shaft	1				
20	014020001200	Plug	2				
21	014020010800	Main bearing housing	1				
22	521010011401	Bearing 6314	1				
23	014020010900	Fender plat	1				
24	513010600001	Washer ϕ 6	3				
25	511010510001	Hexagon bolt M5x10	3				
26	014020011000	Circlip A	1				
27	014020011100	Circlip B	1				
28	521010011501	Bearing NJ2211	1				

7. Camshaft Assy



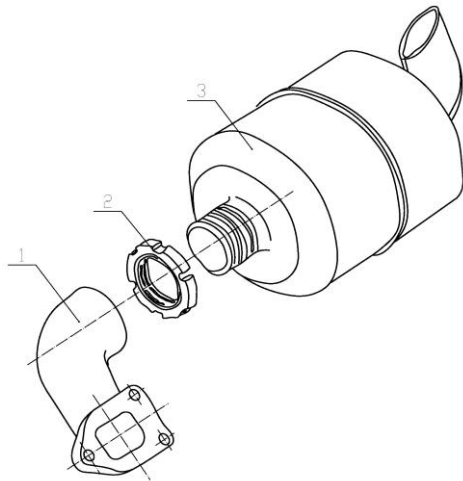
No.	CODE	DESCRIPTION	QTY/UNIT	ORDER QTY	PRICE	TOTAL VALUE	REMARK
1	014020011200	Camshaft gear	1				
2	014020011300	Camshaft	1				
3	519010101800	Flat key 10X16	1				
4	014020011400	Valve tappet	16				
5	014020011500	Valve push rod	38				

8. Air Cleaner Assy



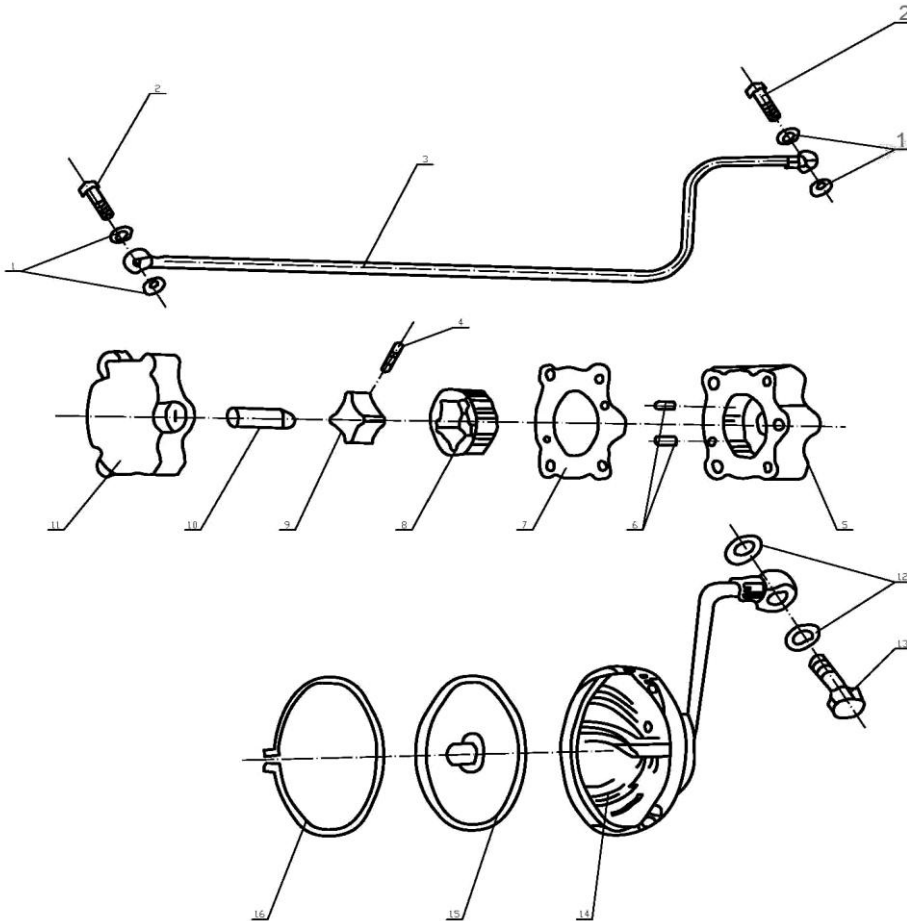
No.	CODE	DESCRIPTION	QTY/UNIT	ORDER QTY	PRICE	TOTAL VALUE	REMARK
1	512020800001	Wing nut AM8	2				
2	513010800001	Washer ϕ 8	2				
3	014020011600	Air filter cover	2				
4	014020011700	Rubber packing	1				
5	014020011800	Air filter element	1				
6	014020011900	Intake pipe	1				
7	014020007500	Intake pipe packing	1				
8	014020012100	Exhaust dust bag	1				
9	014020012200	Check hoop	1				
10	515060500601	Screw M5x6	1				
11	512010500002	Hexagon nut M5	1				

9. Exhaust System



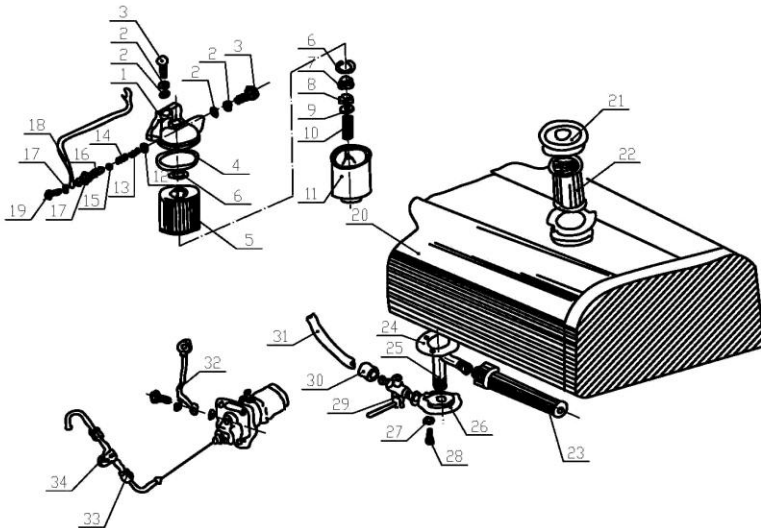
No.	CODE	DESCRIPTION	QTY/UNIT	ORDER QTY	PRICE	TOTAL VALUE	REMARK
1	014020012300	Exhaust pipe	1				
2	014020012400	Lock nut	4				
3	014020012500	Silencer	3				

10. Lubrication System



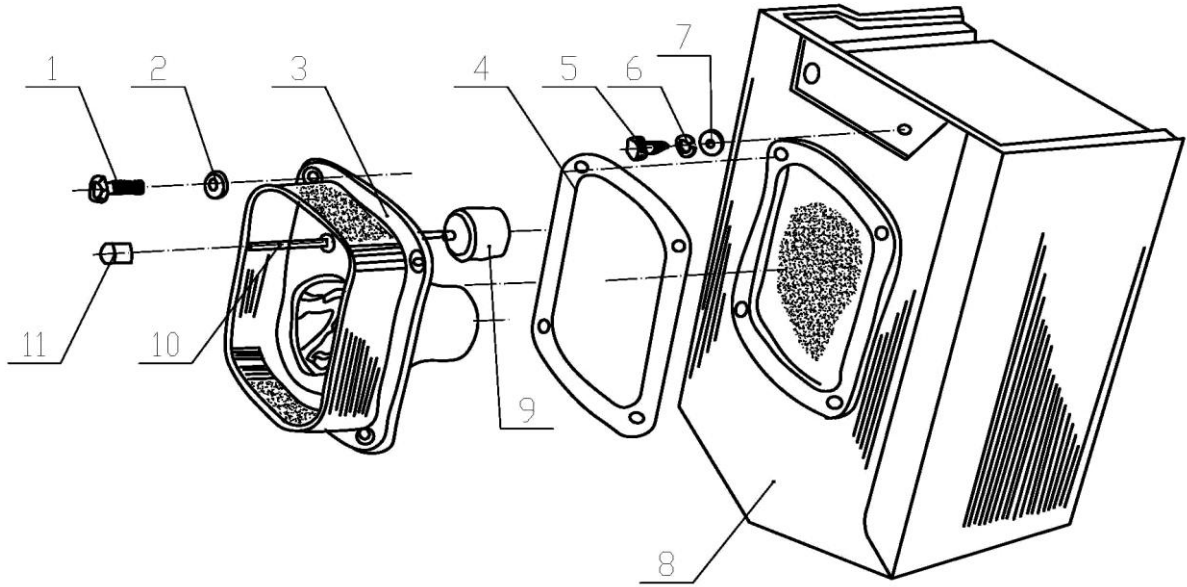
No.	CODE	DESCRIPTION	QTY/UNIT	ORDER QTY	PRICE	TOTAL VALUE	REMARK
1	014020010500	Washer	4				
2	014020012700	Pipe connecting bolt	2				
3	014020012800	Oil pipe	1				
4	014020012900	Cylindrical pin	1				
5	014020013000	Lubricating oil pump body	1				
6	014020013100	Locating pin	2				
7	014020013200	Lubricating oil pump packing shim	As required				
8	014020013300	Outer rotor	1				
9	014020013400	Inner rotor	1				
10	014020013500	Oil pump shaft	1				
11	014020013600	Oil pump cover	1				
12	014020010500	Washer	2				
13	014020012700	Pipe connecting bolt	1				
14	014020013900	Oil strainer body with suction pipe	1				
15	014020014000	Oil strain screw	1				
16	014020014100	Circlip	1				

11. Fuel System



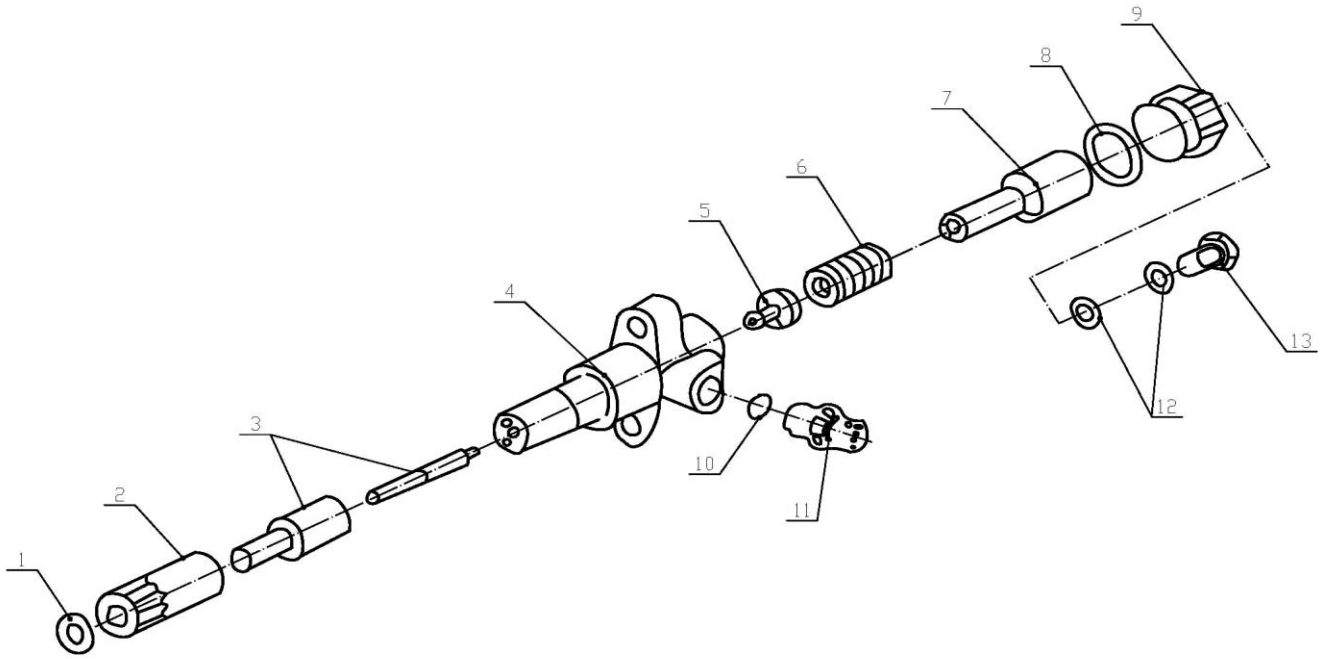
No.	CODE	DESCRIPTION	QTY/UNIT	ORDER QTY	PRICE	MONEY	REMARK
1	014020014200	Fuel filter cover	1				
2	014020010500	Washer	4				
3	014020014400	Pipe connection bolt	3				
4	014020014500	Seal ring	1				
5	014020014600	Bracket	1				
6	014020014500	Seal ring	2				
7	014020010500	Washer	1				
8	014020014500	Seal ring	1				
9	014020010500	Washer	1				
10	014020015100	Spring	1				
11	014020015200	Fuel filter body	1				
12	014020010500	Washer	1				
13	014020008300	Screw	1				
14	014020015100	Spring	1				
15	014020004000	Steel ball	1				
16	014020015700	One way valve seat	1				
17	014020010500	Washer	2				
18	014020015900	Fuel return pipe	1				
19	014020014400	Pipe connection bolt	1				
20	014020016100	Fuel tank	1				
21	014020016200	Fuel tank cap	1				
22	014020016300	Filling screen	1				
23	014020016400	Primary fuel filter	1				
24	014020010500	Packing	1				
25	014020016600	Fuel outlet pipe	1				
26	014020016700	Fuel cock seat	1				
27	014020010500	Washer	3				
28	511010616001	Hexagon bolt M6x16	3				
29	014020016900	Fuel cock	1				
30	014020017000	Pipe sleeve	1				
31	014020017100	Fuel feed	1				
32	014020017200	Fuel pipe	1				
33	014020017300	High pressure fuel pipe and it's accessories	1				
34	014020017400	Pipe clip	1				

12. Hopper Assembly



No.	CODE	DESCRIPTION	QTY/UNIT	ORDER QTY	PRICE	TOTAL VALUE	REMARK
1	511010802001	Hexagon bolt M8x20	4				
2	513010800011	Washer ϕ 8-140HV	4				
3	014020017500	Funnel	1				
4	014020017600	Packing for funnel	1				
5	511010818001	Hexagon bolt M8x18	4				
6	513010800011	Washer ϕ 8	4				
7	014020010500	Washer	4				
8	014020017800	Hopper	1				
9	014020017900	Float	1				
10	014020018000	Float stem	1				
11	014020018100	Red indicating ball	1				

13. Fuel Inject



No.	CODE	DESCRIPTION	QTY/UNIT	ORDER QTY	PRICE	TOTAL VALUE	REMARK
1	513011900001	Washer ϕ 19x ϕ 9x1	1				
2	014020008300	Cap nut	1				
3	014020018300	Nozzle couple	1				
4	014020018400	Nozzle holder	1				
5	014020018500	Nozzle valve spindle	1				
6	014020018600	Opening pressure adjusting spring	1				
7	014020018700	Opening pressure adjusting screw	1				
8	014020014500	Washer sealing	1				
9	014020018900	Lock nut	1				
10	014020010500	Washer	1				
11	014020014400	Fuel inler pipe connecting bolt	1				
12	014020010500	Washer	2				
13	014020019300	Fuel leak-off connecting bolt	1				

