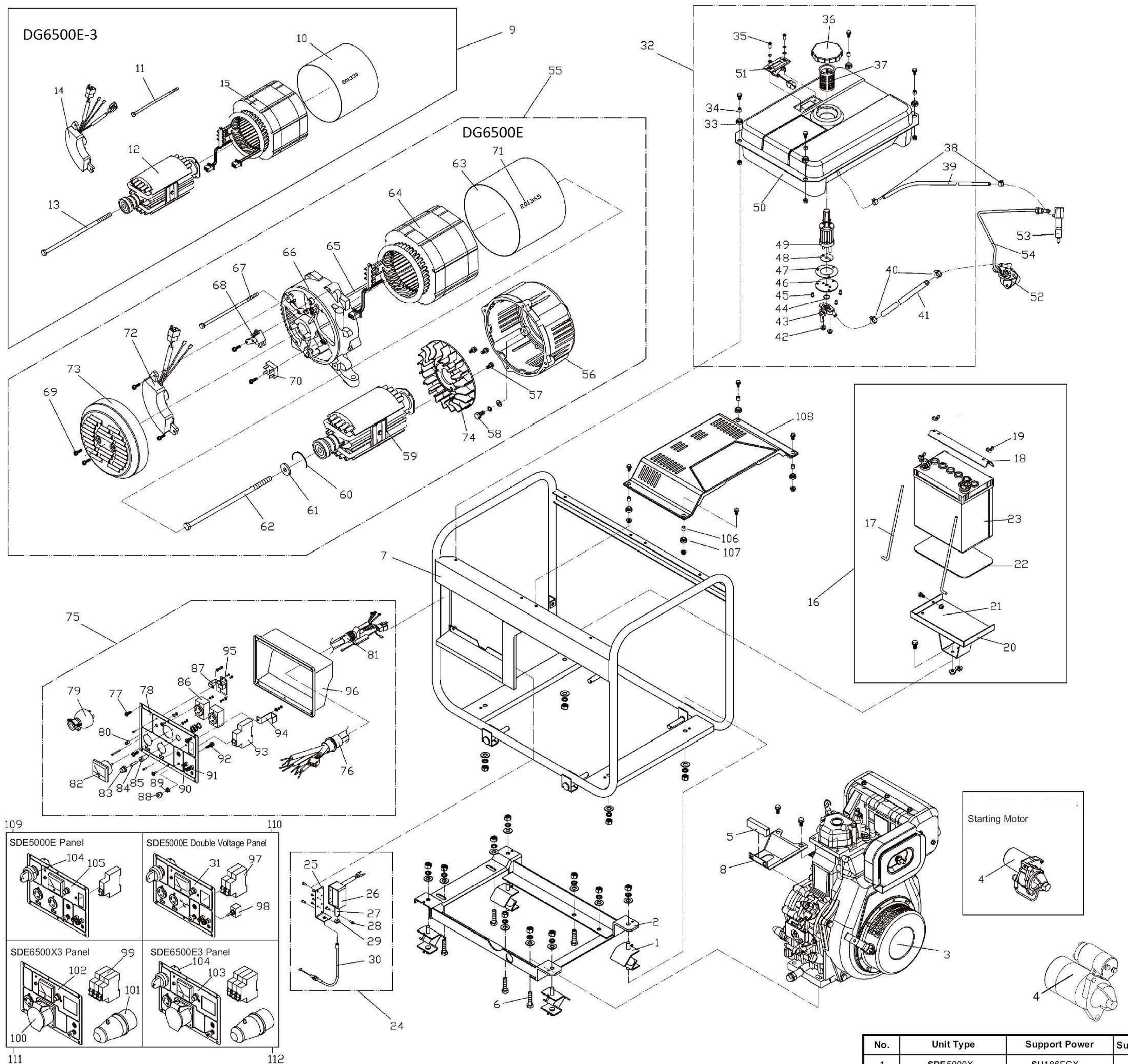


ASSEMBLY AND PARTS ALBUM

DG6500E/DG6500E-3

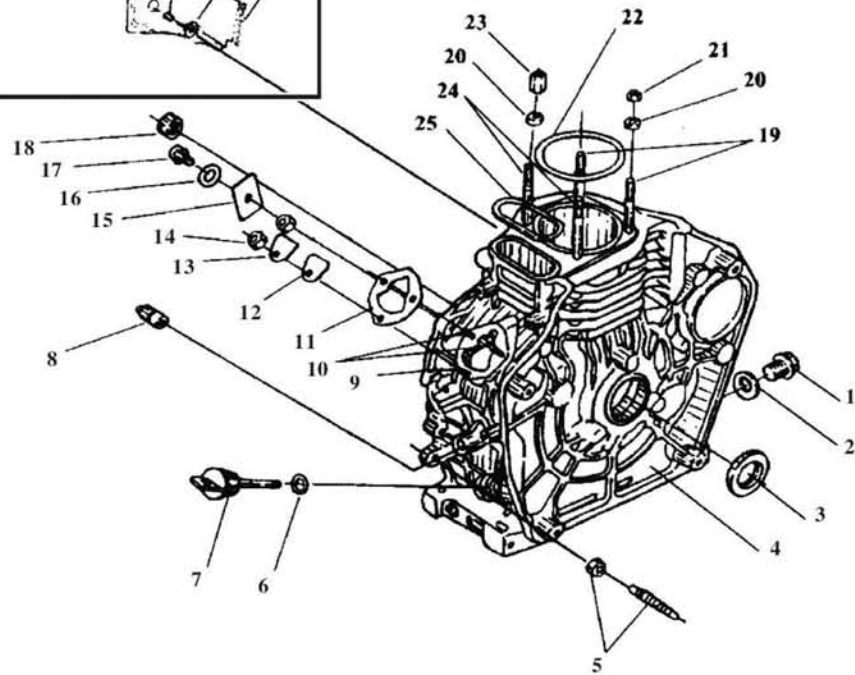
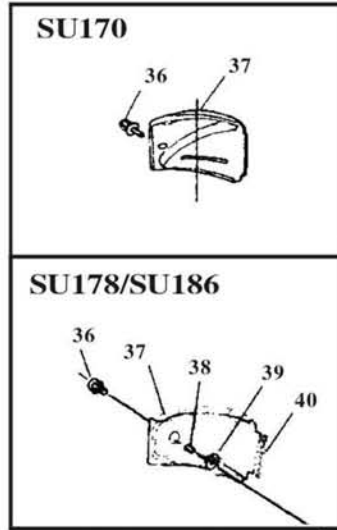


No.	Unit Type	Support Power	Support Motor
1	SDE5000X	SU186FGX	190
2	SDE5000E	SU186FGE	190
3	SDE6500X	SU186FAGE	204
4	SDE6500E	SU186FAGE	204
5	SDE6000X3	SU186FGX3	190
6	SDE6000E3	SU186FGE3	190
7	SDE6500X3	SU186FAGX3	204
8	SDE6500E3	SU186FAGE3	204

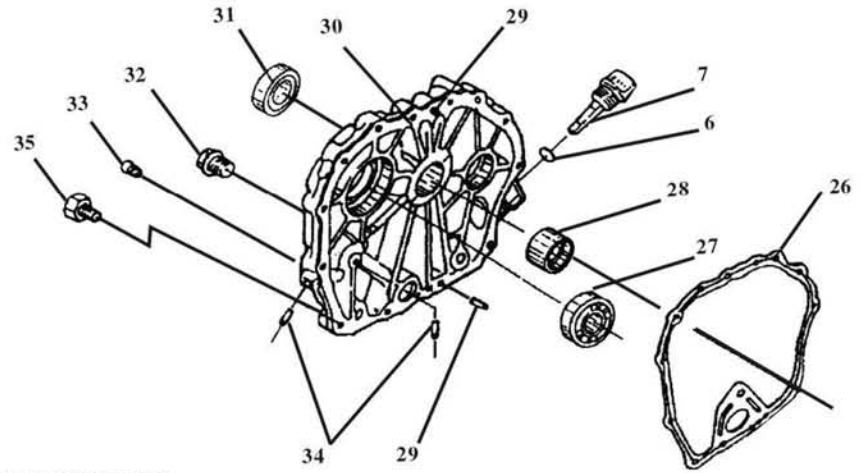
No.	Code.	Description	Qty.	No.	Code.	Description	Qty.	No.	Code.	Description	Qty.	No.	Code.	Description	Qty.
1	SDE5000X-10000	Cushion	4	29	SDE3500X-40006a	Electromagnet Washer	1	57	GB6563-86	Self-Tapping Locking Screw ST5	3	85	BLX	Fuse Plastics Bottom Case	1
2	SDE5000X-60000	Housing Base Weldment Assembly	1	30	SDE3500X-41000a	Flexible Shaft Unit	1	58	GB5781-86	Bolt M8X20	4	86	250V-26A	Single-phase Receptacle	2
3	SU186FG-00000	Air-cooled Diesel	1	31	SDE5000E-13100J	Instrument Panel	1	59	5SU.6741.01	Generator Rotator	1	87	SDE3500X-50003a	Setting Plate	1
4	SU186F-15100	Starting Motor	1	32	SDE5000X-30000	Fuel Tank Assembly	1	60	6204DV	Clip Ring	1	88	GB-806-88	Grounding Screw Cap	1
5	SDE5000X-00002	Asistant Support Frame Cushion	1	33	SDE5000X-30004	Cushion	4	61	8SU.2182.01	Pull-through Shaft Bolt Washer	1	89	GB6177-86	Nut M6	1
6	GB5783-86	Bolt M10X40	6	34	SDE5000X-30005	Sheath	4	62	8SU.2002.01	Pull-through Shaft Bolt M10X214	1	90	910A red	Anode Wiring Terminal Unit	1
7	SDE5000X-50000	Housing Weldment Assembly	1	35	GB/T819.1-2000	Screw M5X12	2	63	8SU.0132.01	Electical Mechinery Control Plate	1	91	910A Black	Cathode Wiring Terminal Unit	1
8	SDE5000X-00001	Engine Asistant Support Frame	1	36	SU186F-10002	Fuel Tank Cap Joint Assembly	1	64	5SU.6801.01	Electical Mechinery Stator	1	92	JB4110-85	Bolt M6x20	1
9	STS-5	Three-phase Machine Assembly	1	37	SU186F-10003	Fuel Filler Screen	1	65	8SU.203.009	Bolt M5	2	93	GB10963/B20/1P	Air Switch	1
10	8SU.0132.01	Three-phase Machine Safeguard Plate	1	38	SU186F-10013	Fuel Return Pipe Clip	2	66	8SU.0342.01	Electical Mechinery Rare Cover	1	94	SDE3500X-50002a	Air Switch Setting Plate	1
11	GB818-85	Screw M6X26	4	39	SDE5000X-30002	Fuel Return Pipe	1	67	GB5787-86	Bolt M6X120	4	95	SDE3500X-50008a	Oil Pressure Protection Breadboard	1
12	5SU.6741.01	Three-phase Generator Rotator	1	40	SU186F-30011	Fuel Filler Pipe Clip	2	68	D104	Carbon Brush	1	96	SDE5000X-70002	Instrument Box Rare Cover	1
13	8SU.2004.01	Pull-through Shaft Bolt M10X224	1	41	SDE5000X-30001	Fuel Filler Pipe	1	69	GB6563-86	Self-tapping Locking Screw	2	97	DZ47-63 C20	Air Switch	1
14	5SU.5242.005	Three-phase Excitation AVR	1	42	GB6177-86	Nut M6	2	70	RBPC35-10	Gratz Rectifier	1	98	SN11-302	Knob Switch	1
15	5SU.6801.01	Three-phase Machine Stator	1	43	SU186F-10400	Fuel Tank Switch Assembly	1	71		Generator Serial Number	1	99	DZ47-63 C10	Air Switch	1
16	SDE5000E-80000	Accumulator Assembly	1	44	GB3452.1-92	O-Ring	1	72	AVR	Excitation AVR	1	100	16A-6h/220-415V	Three-phase Receptacle	1
17	SDE3500E-00003a	Screw Rod	2	45	GB/T819.1-2000	Screw	3	73	8SU.0131.01	Electical Mechinery Booting Air Cover	1	101	16A-6h/220-415V	Three-phase Pin	1
18	SDE3500E-00005a	Accumulator Pressure Plate	1	46	SDE5000X-31006	Seal Plate	1	74	8SU.4351.01	Electical Mechinery Fan	1	102	SDE6500X3-71000	Instrument Panel	1
19	GB62-88	Wing Nut M6	2	47	SDE5000X-31007	Seal Washer	1	75	SDE5000X-70000	Panel Assembly	1	103	SDE5000E3-71000	Instrument Panel	1
20	SDE5000E-81000	Accumulator Bracket Weldment Assembly	1	48	SU186F-10007	Seal Washer	1	76	SDE5000X-70003	Wiring Harness Setting Sheath	1	104	JS425	Starting key	1
21	GB6177-86	Nut M6	1	49	SU186F-10300	Element Assembly	1	77	GB818-85	Screw M6X16	4	105	SDE5000E-71000	Instrument Panel	1
22	SDE3500E-00002a	Accumulator Washer	1	50	SDE5000X-31000	Fuel Tank Weldment Assembly	1	78	SDE5000X-70001	Setting Panel	1	106	SDE5000X-30005	Cushion	4
23	36AH	Accumulator 12V	1	51	SDE5000X-32000	Oil Mark Assembly	1	79	250V/26A	Single-phase Pin	1	107	SDE5000X-30004	Cushion	4
24	SDE3500X-40000a	Electromagnet Assembly	1	52	SU186F-12000	Fuel Pump	1	80	CLAD	Oil Pressure Alerting Lamp	1	108	SDE5000X-40000	Decorating board Assembly	1
25	SDE3500X-44000a	Electromagnet Setting Plate	1	53	SU186F-13000	Nozzle	1	81	SDE5000X-70009	Circuitry Setting Sheath	1	109	SDE5000E-70000	Panel Assembly	1
26	DCT-12-C	Electromagnet	1	54	SU186F-10500	High-Pressure Fuel Pipe	1	82	MV52.5 / 0-300V	Fultmeter KD-45	1	110	SDE5000E-13000J	Panel Assembly	1
27	DCT-12-C	Iron-corn	1	55	ST-5	Single-phrase Electrical Mechinery Assembly	1	83	BLX	Fuse Box	1	111	SDE6500X3-70000	Panel Assembly	1
28	GB/T818-85	Screw M5X8	2	56	8SU.3041.01	Electical Mechinery Forepart Cover	1	84	φ6 × 30	Fuse	1	112	SDE6500E3-70000	Panel Assembly	1

1 机体总成 CYLINDER BLOCK ASSEMBLY

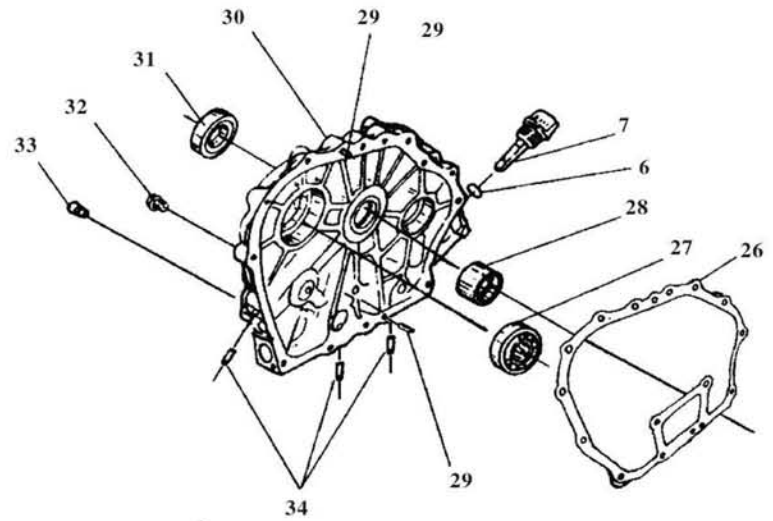
SU170/SU178/SU186



SU170



SU178/SU186

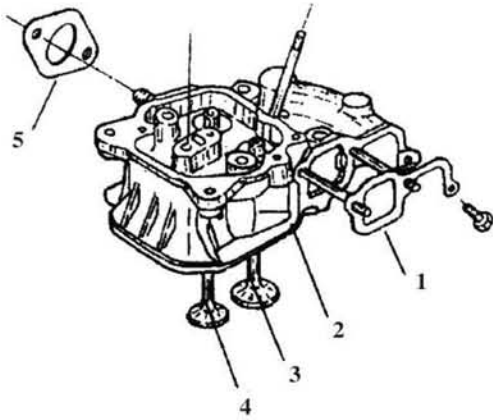


1 机体总成 CYLINDER BLOCK ASSEMBLY

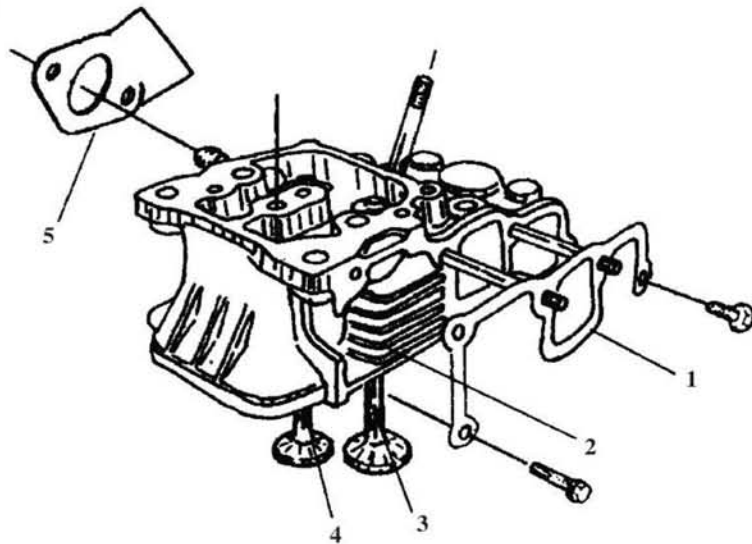
序号 NO.	编号			名称			英文名称			数量		
	CODE			DESCRIPTION			DESCRIPTION			QUANTITIES		
	SU170	SU178	SU186	SU170	SU178	SU186	SU170	SU178	SU186	SU170	SU178	SU186
1	7001017			放油螺塞			Drain Plug			1		
2	7001100			放油螺塞垫片			Oil Plug Seal Assem			1		
3	9701301		9701351	油封			Oil Seal			1		
				SG30*45*8	SG35*50*10		SG30*45*8	SG35*50*10				
4	7001001	7801001	8601001	机体			Cylinder Block			1		
5	7011200		8611200	油量控制器部件			Fuel Controller Assem			1		
6	9702024			O形密封圈24*2.4			O-Ring24*2.4			2		
7	7001002	7801002		机油尺			Oil Filler Cap			2		
8	9802008			滚针轴承7941/8			Needle Bearing7941/8			2		
9	7001012			喷油泵紧固螺柱(短)			Stud Plate(Short)			1		
10	7001011			喷油泵紧固螺柱(长)			Stud Plate(Long)			2		
11	7012001			喷油泵垫片			Fuel Injection Pump Gasket			When Necessary		
12	7012003			喷油泵密封垫片			Seal Gasket			1		
13	7012002			喷油泵密封板			Seal Plate			1		
14	9901061			异形螺母M6			Nut M6			3		
15	7001009			止推片			Retainer			1		
16	9903080			平垫圈8			Washer8			1		
17	9902081			螺栓M8*12			Bolt M8*12			1		
18	9802015			滚针轴承37941/15			Needle Bearing37941/15			1		
19	7001003	7801003	8601003	气缸盖螺栓(短)			Cylinder Head Stud(Short)			2		
20	7001007	7801007	8601007	气缸盖螺母垫圈			Cylinder Head Washer			4		
21	7001005	7801005	8601005	气缸盖螺母(短)			Cylinder Head Nut(Short)			2		
22	7001013	7801013	8601013	气缸盖垫片			Cylinder Head Gasket			1		
23	7001006	7801006	8601006	气缸盖螺母(长)			Cylinder Head Nut(Long)			2		
24	7001004	7801004	8601004	气缸盖螺栓(长)			Cylinder Head Stud(Long)			2		
25	7001008	7801008	8601008	密封圈			Ring			1		
26	7001015	7801015	8601015	曲轴箱盖垫片			Crank Case Gasket			1		
27	9801205	9801206	9801207	滚动轴承			Ball Bearing			1		
				D205	D206	D207	D205	D206	D207			
28	7001014	7801014	8601014	滑动轴承			Main Bearing			1		
29	9905081			销8*12			Pin8*12			2		
30	7001016	7801016	8601016	曲轴箱盖			Crank Case Cover			1		
31	9701025	9701302	9701351	油封			Oil Seal			1		
				SG25*42*10	SG30*45*10	SG35*50*10	SG25*42*10	SG30*45*10	SG35*50*10			
32	9902083			螺栓M8*33.5			Bolt M8*33.5			1	15	16
33	7001019			内六角螺塞			Plug			1		
34	7001021			铝堵塞8			Plunger8			2	3	3
35	9902072	/		螺栓M6*25			BoltM6*25			14	/	
36	9902064			螺栓M6*14			BoltM6*14			1		
37	7001018	7801018	8601018	引风板			Air Gover			1		
38	/		7801502	引风板衬套			Air Gover Collar			/		1
39	/		7801601	防震垫块			Shock Absorber			/		1
40	/		7801603	防震垫条			Shock Absorber Seat			/		1

2 气缸盖总成 CYLINDER HEAD ASSEMBLY

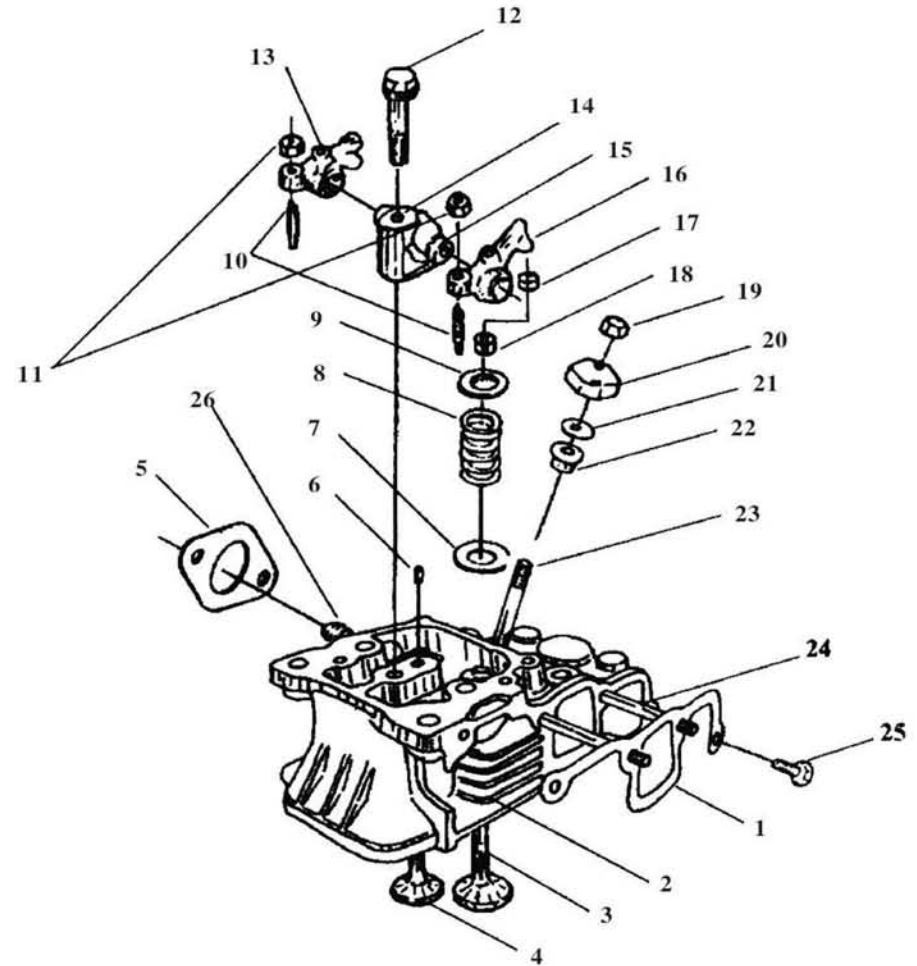
SU170



SU186



SU178

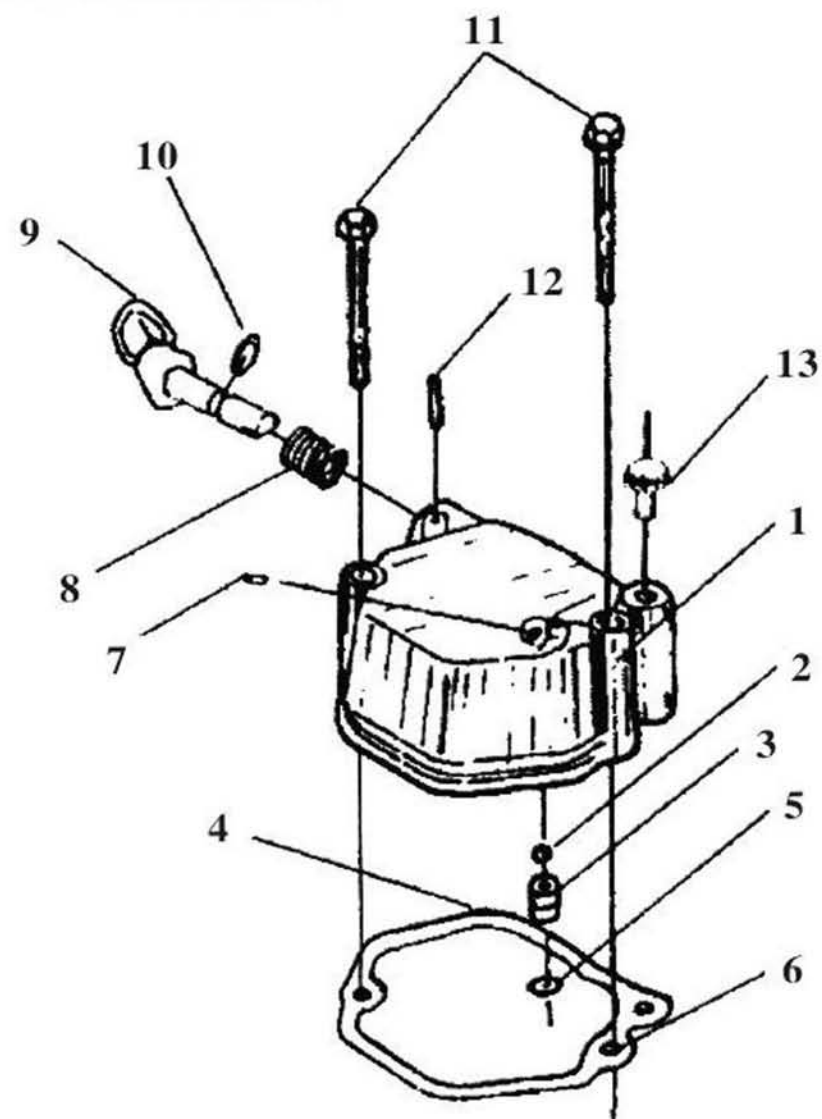


2 气缸盖总成 CYLINDER HEAD ASSEMBLY

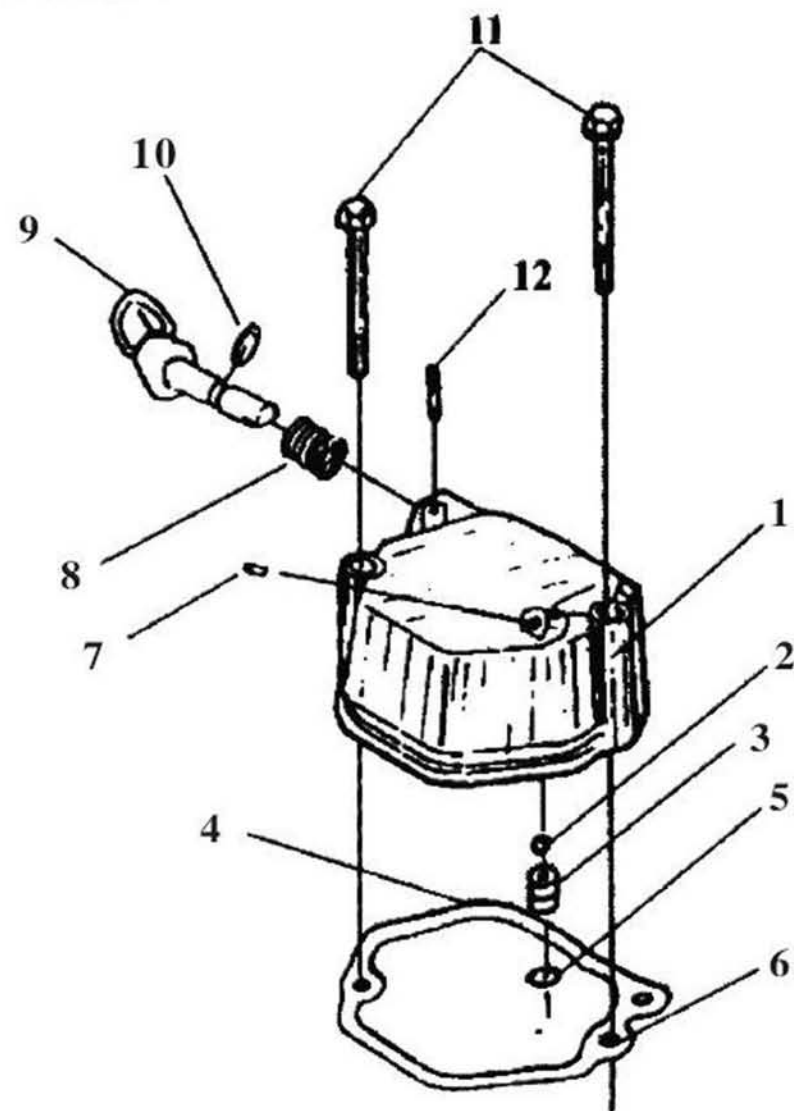
序号 NO.	编号			名称			英文名称			数量		
	CODE			DESCRIPTION			DESCRIPTION			QUANTITIES		
	SU170	SU178	SU186	SU170	SU178	SU186	SU170	SU178	SU186	SU170	SU178	SU186
1	7002014	7802014	8602014	进气管垫片			Air intake Gasket			1		
2	7002200	7802200	8602200	气缸盖部件			Cylinder Head			1		
3	7002003	7802003	8602003	进气门			Intake Valve			1		
4	7002004	7802004	8602004	排气门			exhaust valve			1		
5	7002015	7802015	8602015	消声器垫片			Silencer Gasket			1		
6	9905041			销4*8			Pin4*8			1		
7	7002007		8602007	气门弹簧垫圈			Valve Spring Washer			2		
8	7002005	7802005	8602005	气门弹簧			Valve Spring			2		
9	7002002	7802002	8602002	气门弹簧座			Spring Retainer			2		
10	7002105			气门调节螺钉			Valve Screw			2		
11	9901060			螺母M6			Nut M6			2		
12	7002106		8602106	气门摇臂支座紧固螺栓			Rocker Arm Bolt			1		
13	7002103		8602103	排气摇臂			Exhaust Valve Rocker Arm			1		
14	7002102		8602102	摇臂支座			Rocker Arm Support			1		
15	7002101		8602101	摇臂轴			Rocker Arm Shaft			1		
16	7002104		8602104	进气摇臂			Intake Valve Rocker Arm			1		
17	7002016	7802016	8602016	气门调节垫块			Valve Adjusting Plate			2		
18	7002001	7802001	8602001	气门锁夹			Cotter			4		
19	9901061			异形螺母M6			Nut M6			2		
20	7002009			喷油器压板			Nozzle Retainer			1		
21	7002018			隔热套垫片			Spacer Washer			1		
22	7002011			隔热套			Spacer			1		
23	9909062			螺柱AM6*50			Stud AM6*50			2		
24	9909063		9909064	螺柱			Stud			2		
				AM6*55	AM6*75	AM6*55	AM6*75					
25	9902070			螺栓M6*25			Bolt M6*25			1	2	3
26	9909081			螺柱AM8*20			Stud AM8*20			2		

3 气缸盖罩总成 CYLINDER HEAD BONNET ASSEMBLY

SU170/SU178



SU186

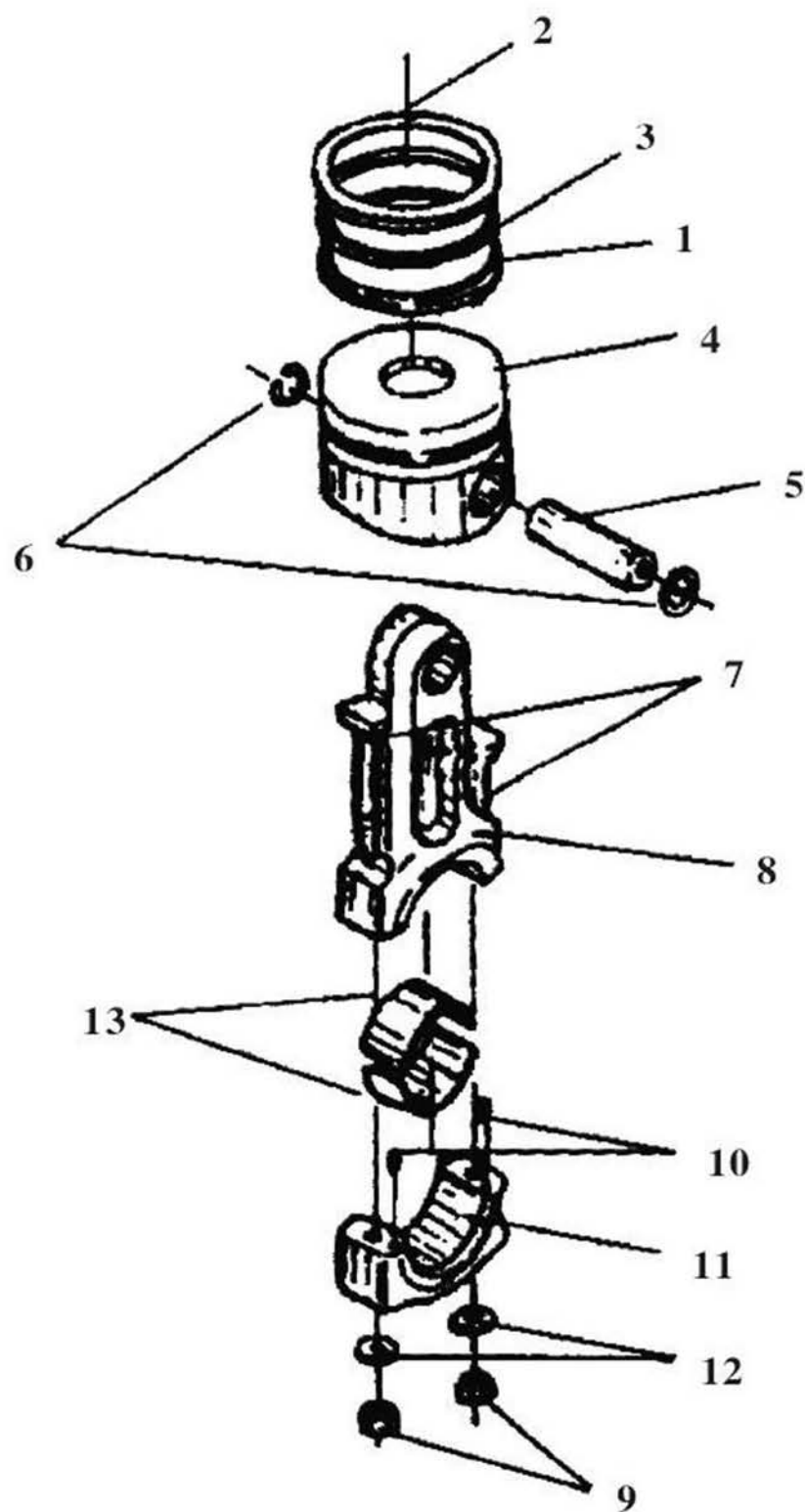


3 气缸盖罩总成 CYLINDER HEAD BONNET ASSEMBLY

序号 NO.	编号			名称			英文名称			数量		
	CODE			DESCRIPTION			DESCRIPTION			QUANTITIES		
	SU170	SU178	SU186	SU170	SU178	SU186	SU170	SU178	SU186	SU170	SU178	SU186
1	7003001		8603001	气缸盖罩			Cylinder Head Bonnet			1		
2	7003201			球			Ball			1		
3	7003202			呼吸器座			Breather Assem			1		
4	7003203			销			Pin			1		
5	9702012			O型密封圈12*1.9			O-Ring12*1.9			1		
6	7003003		8603003	气缸盖罩垫片			Bonnet Gasket			1		
7	7001021			铝堵塞8*10			Plunger8*10			1		
8	7003004			减压弹簧			Decompression Spring			1		
9	7003100			减压轴部件			Decompression Shaft Assem			1		
10	9702010			O型密封圈10*1.9			O-Ring10*1.9			1		
11	9902074		9902075	螺栓			Bolt			2		
				M6*55	M6*70	M6*55	M6*70					
12	9905316			销3*16			Pin3*16			1		
13	7003005			加油螺塞			Plunger			1		

4 活塞连杆总成 PISTON & CONNECTING ROD ASSEMBLY

SU170/SU178/SU186

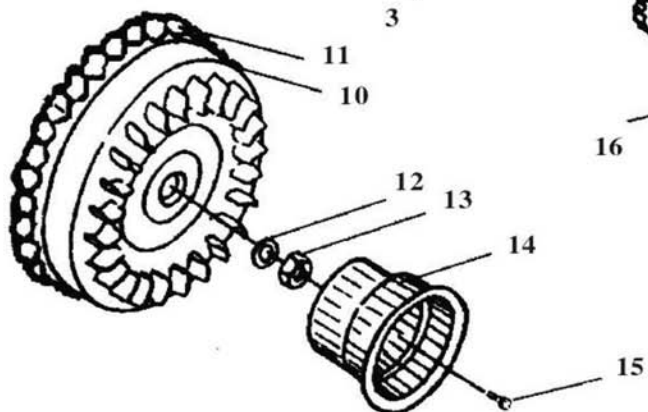
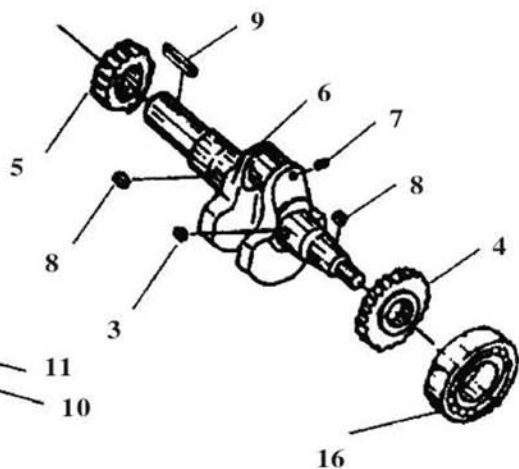
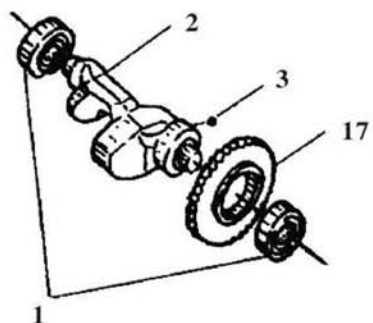
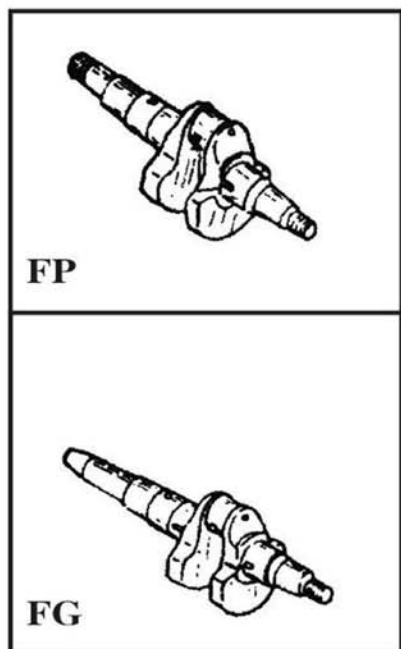


4 活塞连杆总成 PISTON&CONNECTING ROD ASSEMBLY

序号	编号			名称			英文名称			数量		
	CODE			DESCRIPTION			DESCRIPTION			QUANTITIES		
	SU170	SU178	SU186	SU170	SU178	SU186	SU170	SU178	SU186	SU170	SU178	SU186
1	7004100	7804100	8604100	油环部件			Oil Ring Assem			1		
2	7004101	7804101	8604101	第一道气环			First Gas Ring			1		
3	7004102	7804102	8604102	第二道气环			Second Gas Ring			1		
4	7004103	7804103	8604103	活塞			Piston			1		
5	7004104	7804104	8604104	活塞销			Piston Pin			1		
6	9906019	9906021	9906023	挡圈			Washer			1		
				19	21	23	19	21	23			
7	7004201	7804201	8604201	连杆体			Connecting Rod Body			1		
8	7004203	7804203	8604203	连杆螺栓			Rod Nut			2		
9	7004205	7804205	8604205	连杆螺母			Rod Bolt Nut			2		
10	9905310			销3*10			Pin3*10			2		
11	7004202	7804202	8604202	连杆盖			Crank Pin Box			1		
12	7004204	7804204	8604204	连杆螺栓垫片			Rod Bolt Washer			2		
13	7004205	7804205	8604205	连杆轴瓦			Crank Pin Bearing			2		

5 曲轴飞轮总成 CRANK SHAFT & FLYWHEEL ASSEMBLY

SU170/SU178/SU186

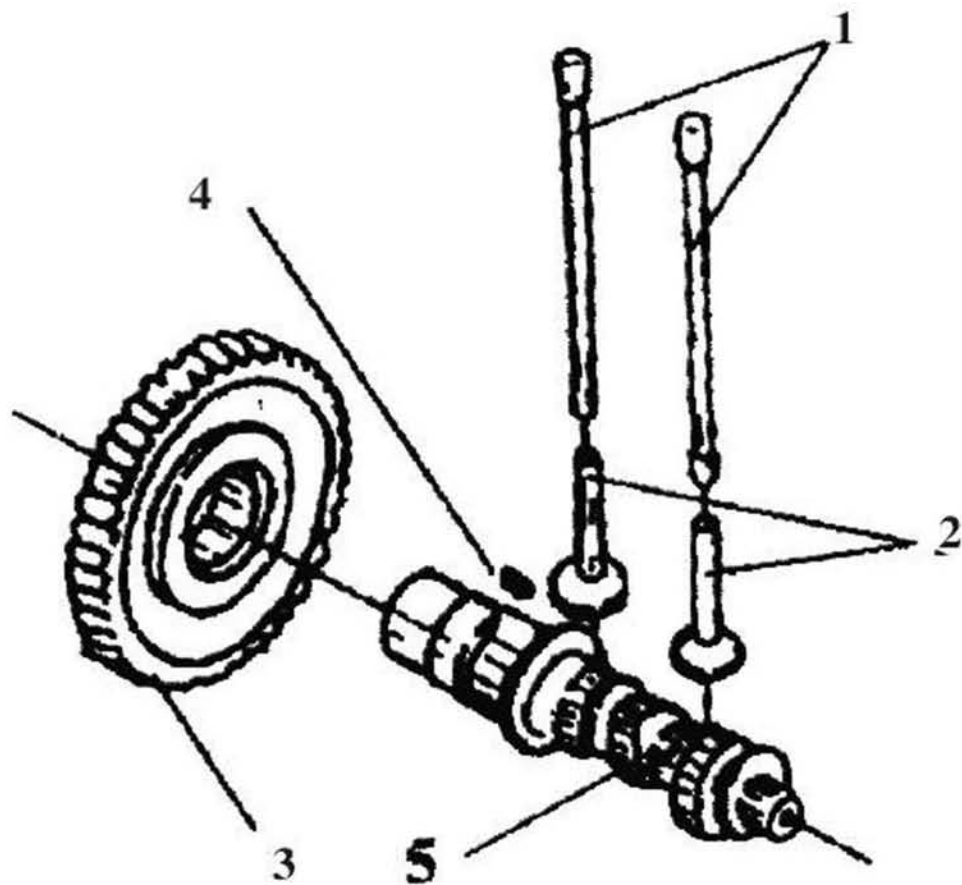


5 曲轴飞轮总成 CRANK SHAFT & FLYWHEEL ASSEMBLY

序号 NO.	编号			名称			英文名称			数量		
	CODE			DESCRIPTION			DESCRIPTION			QUANTITIES		
	SU170	SU178	SU186	SU170	SU178	SU186	SU170	SU178	SU186	SU170	SU178	SU186
1	9801202		9801203	滚动轴承			Ball Bearing			2		
				202		203	202		203			
2	7005007	7805007	8605007	平衡轴			Balancer Shaft			1		
3	9904051			键5*7			Key5*7			2		
4	7005006	7805006	8605006	平衡轴传动齿轮			Balancer Gear			1		
5	7005004	7805004	8605004	曲轴正时齿轮			Crank Shaft Timing Gear			1		
6	7005201	7805201	8605201	曲轴			Crank Shaft			1		
7	7005202			堵塞			Plunger6			1		
8	9904052			键5*12			Key5*12			2	2	1
8-1			9904053	键5*14			Key5*14					1
9	9904054	9904061		键			Key			1		
				5*45		6*50	5*45		6*50			
10	7005101	7805101	8605101	飞轮			Fly wheel			1		
11	7005102	7805102	8605102	飞轮齿圈			Fly Wheel Gear			1		
12	7005003		8605003	飞轮螺母垫圈			Fly Wheel Nut Washer			1		
13	7005002		8605002	飞轮螺母			Fly Wheel Nut			1		
14	7005001	7805001	8605001	起动爪盘			Starter Pulley			1		
15	9902062			螺栓M6*12			Bolt M6*12			3	3	4
16	9801306	9801307	9801308	滚动轴承			Ball Bearing			1		
				6306	6307	6308	6306	6307	6308			
17	7005009	7805009	8605009	平衡轴齿轮			Balancer Gear			1		

6 凸轮轴总成 CAMSHAFT ASSEMBLY

SU170/SU178/SU186

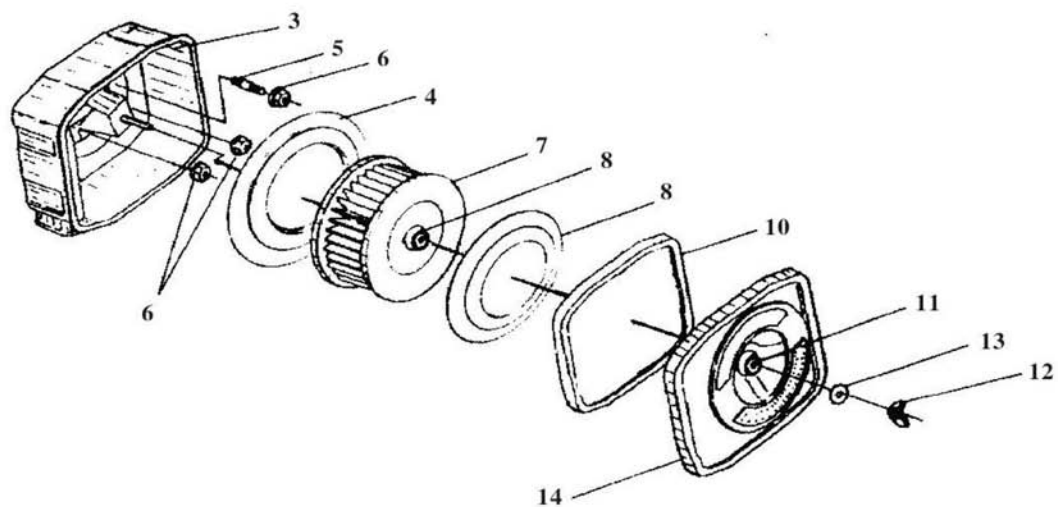


6 凸轮轴总成 CAMSHAFT ASSEMBLY

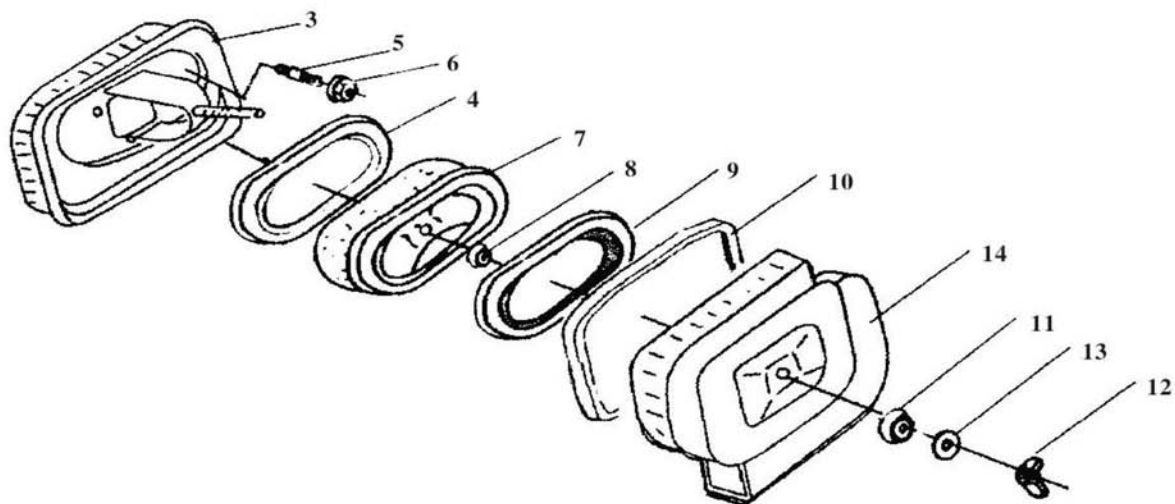
序号	编号			名称			英文名称			数量		
NO.	CODE			DESCRIPTION			DESCRIPTION			QUANTITIES		
	SU170	SU178	SU186	SU170	SU178	SU186	SU170	SU178	SU186	SU170	SU178	SU186
1	7006100	7806100	8606100	气门推杆部件			Valve Rod Assem			2		
2	7006003		8606003	气门挺柱			Valve Tappet			2		
3	7006002	7806002	8606002	凸轮轴正时齿轮			Camshaft Tming Gear			1		
4	9904053	9904041	9904053	键			Key			1		
				5*14	4*12	5*14	5*14	4*12	5*14			
5	7006001	7806001	8606001	凸轮轴			Camshaft			1		

7 进气系统总成 AIR CLEANER ASSEMBLY

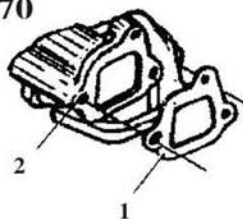
SU170/SU178



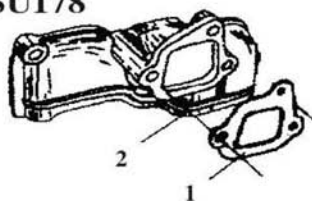
SU186



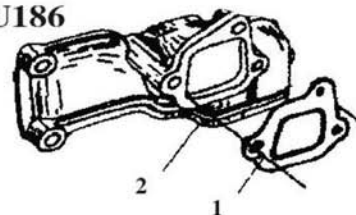
SU170



SU178



SU186

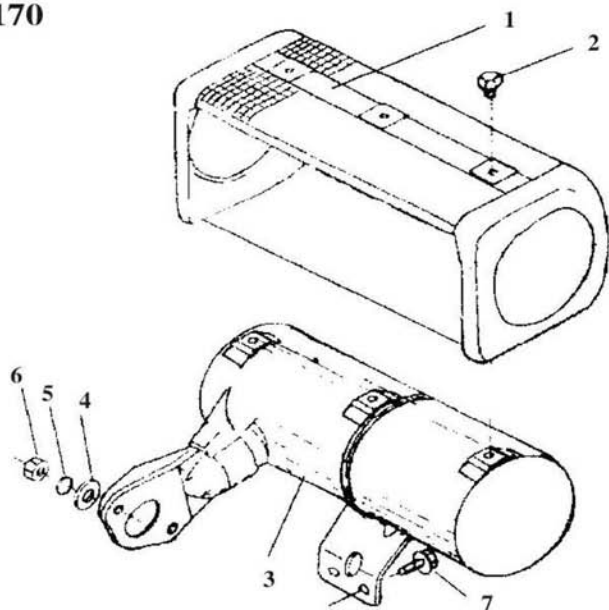


7 进气系统总成 AIR CLEANER ASSEMBLY

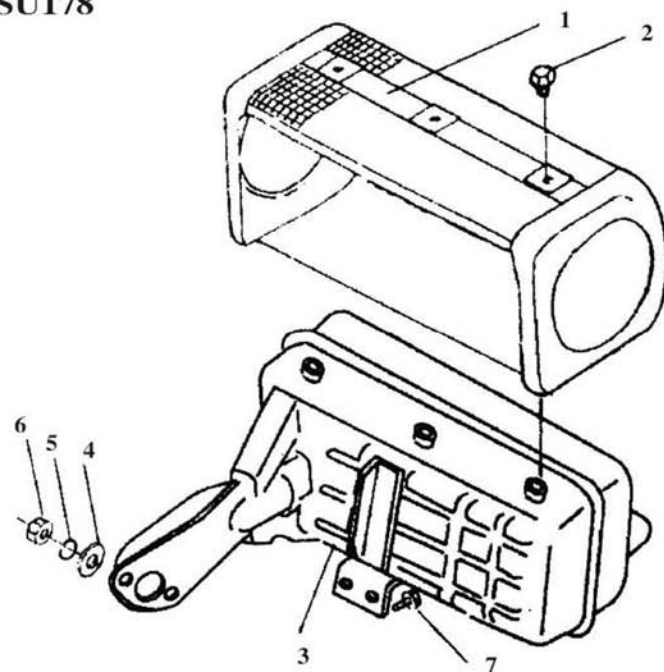
序号	编号			名称			英文名称			数量		
	CODE			DESCRIPTION			DESCRIPTION			QUANTITIES		
	SU170	SU178	SU186	SU170	SU178	SU186	SU170	SU178	SU186	SU170	SU178	SU186
1	7007001		8607001	空气滤清器垫片			Air Cleaner Gasket			1		
2	7007401	7807401	8607401	进气管			Intake Pipe			1		
3	7007300		8607300	空气滤清器壳底部件			Air Cleaner Bottom Case Assem			1		
4	7007303		8607303	防震垫圈 II			Shock Absorber Washer II			1		
5	7007402			空滤器紧固螺栓			Air Cleaner Element Bolt			1		
6	9901061			异形螺母M6			Nut6			3		
7	7007100		8607100	空气滤芯部件			Air Cleaner Element Assem			1		
8	7007101		8607101	滤芯防震件			Air Cleaner Element Shock Absorber			1		
9	7007203		8607203	防震垫圈 I			Shock Absorber Washer I			1		
10	7007201		8607201	密封圈			Ring			1		
11	7007211		8607211	空滤盖防震件			Air Cleaner Shock Absorber			1		
12	7007107		8607107	蝶型螺母			NutM6			1		
				M6		M8	M6		M8			
13	9903060		9903080	蝶形螺母垫片			Washer			1		
				6		8	6		8			
14	7007200		8607200	空气滤清器盖部件			Air Cleaner Cover Assem			1		

8 消声器总成 SILENCER ASSEMBLY

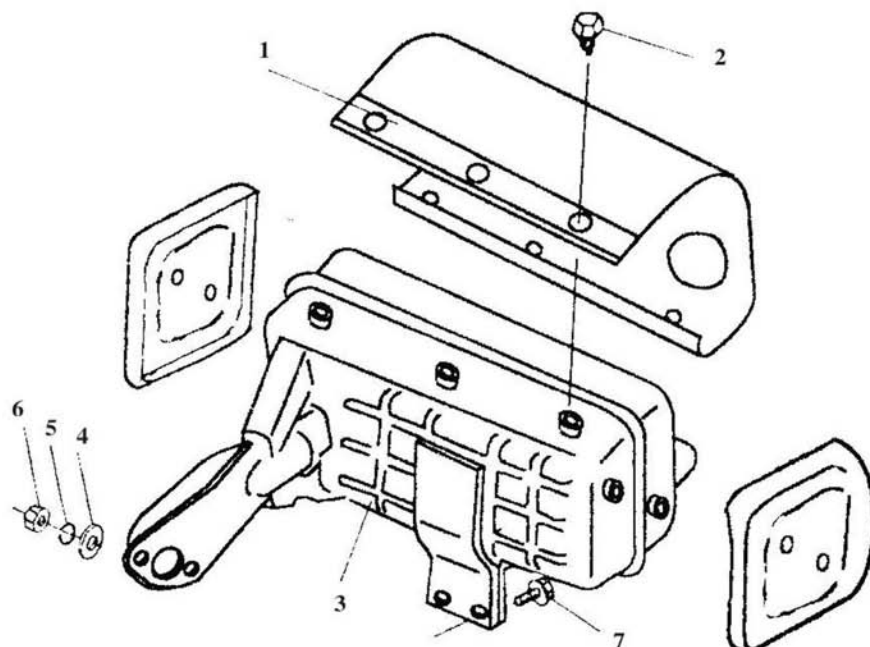
SU170



SU178



SU186

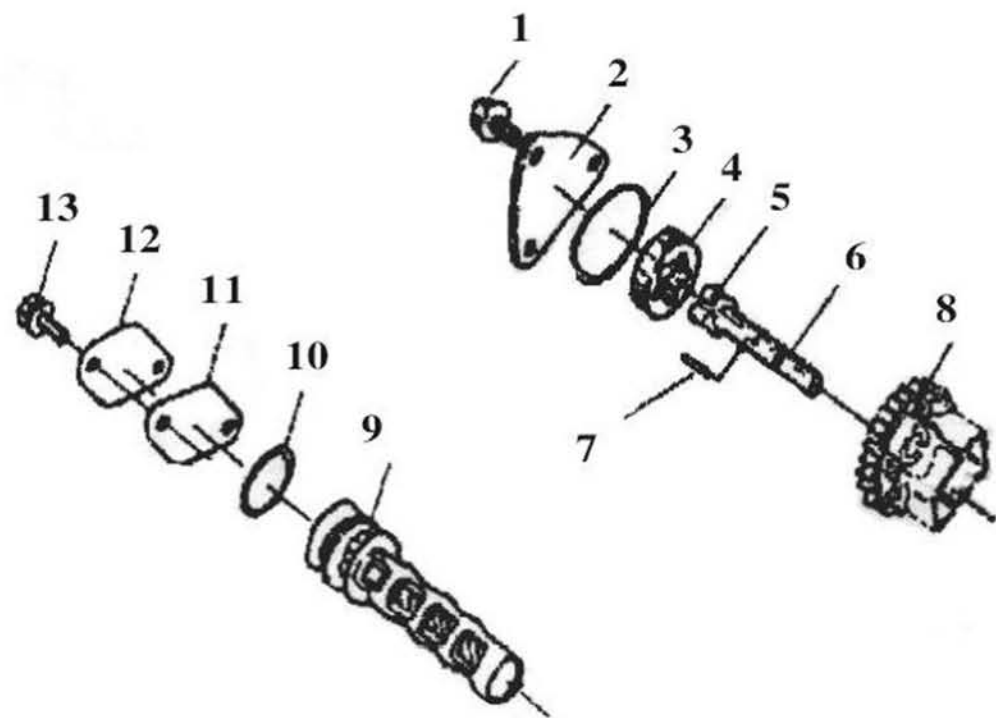


8 消声器总成 SILENCER ASSEMBLY

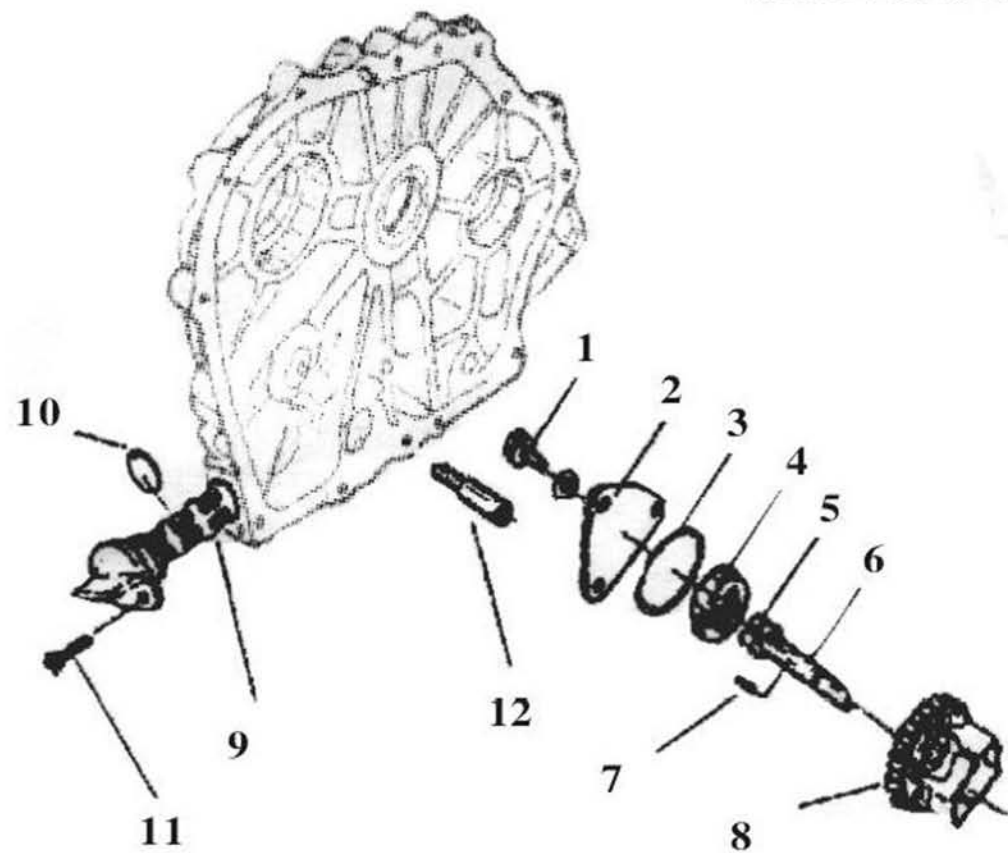
序号 NO.	编号			名称			英文名称			数量		
	CODE			DESCRIPTION			DESCRIPTION			QUANTITIES		
	SU170	SU178	SU186	SU170	SU178	SU186	SU170	SU178	SU186	SU170	SU178	SU186
1	7008100	7808100	8608100	消声器外罩部件			Case Assem			1		
2	9902061			螺栓M6*8			Bolt M6*8			6	10	
3	7008200	7808200	8608200	消声器焊接部件			Silencer Welded Assem			1		
4	9903080			平垫圈8			Washer8			2		
5	9903081			弹垫圈8			Washer8			2		
6	9901080			螺母M8			Nut M8			2		
7	9902062	9902081		螺栓			Bolt			2		
				M6*12	M8*12		M6*12	M8*12				

9 润滑系统总成 LUBE OIL SYSTEM

SU170



SU178/SU186

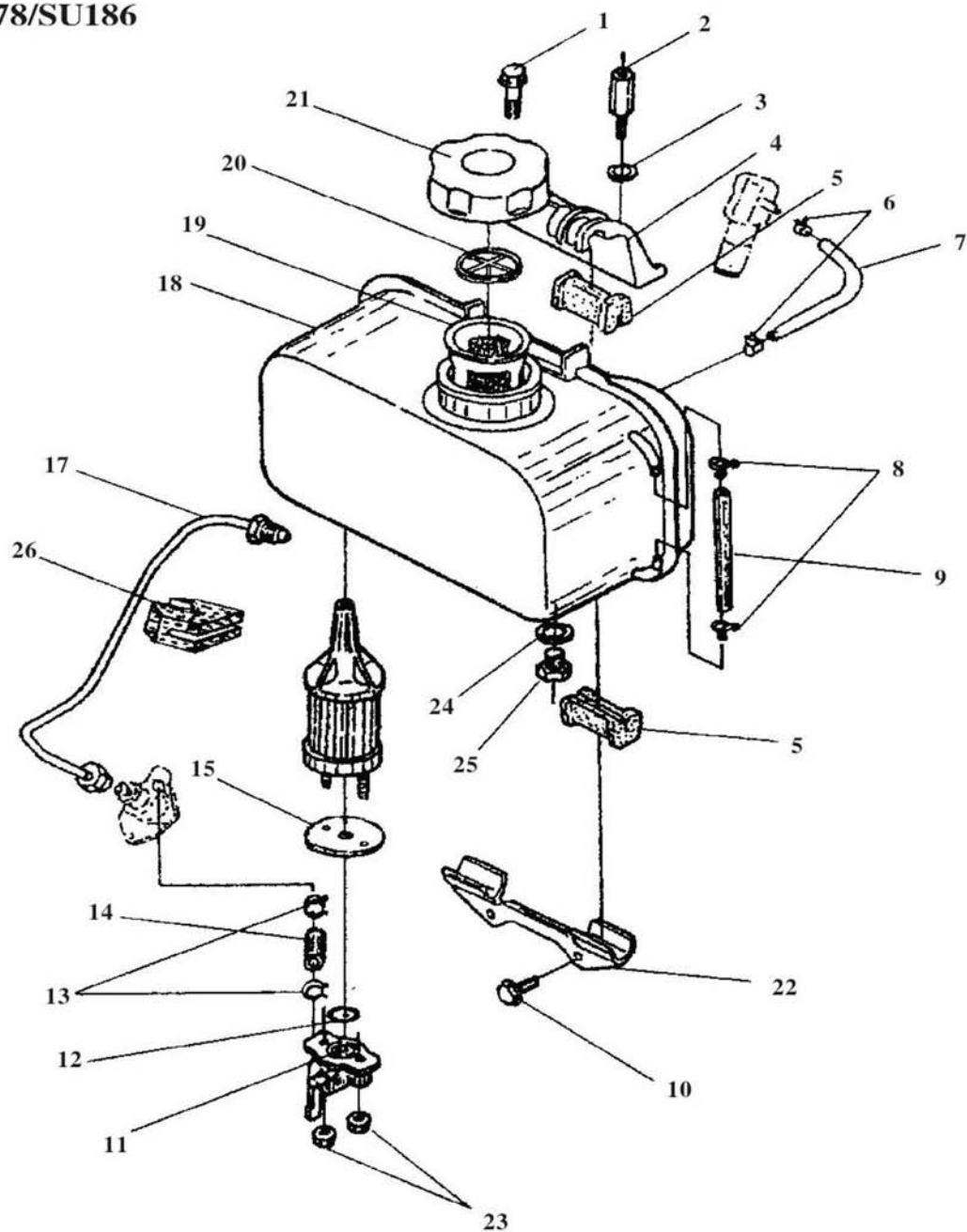


9 润滑系统总成 LUBE OIL SYSTEM

序号	编号			名称			英文名称			数量		
	CODE			DESCRIPTION			DESCRIPTION			QUANTITIES		
	SU170	SU178	SU186	SU170	SU178	SU186	SU170	SU178	SU186	SU170	SU178	SU186
1	9902061			螺丝栓M6*8			Bolt M6*8			3		
2	7009003			机油泵盖板			Oil Pump Cover			1		
3	9702345			O型密封圈34.5*1.8			O-Ring34.5*1.8			1		
4	7009103			外转子			Outer Rotator			1		
5	700901			内转子			Inner Rotator			1		
6	7009102	869102		转子泵轴			Oil Pump shaft			1		
7	9905031			销3*18			Pin3*18			1		
8	7809004			机油泵传动齿轮			Oil Pump Gear			1		
SU170 Oil Filter Assem												
9	7009200			机油滤清器部件			Oil Filter Assem			1		
10	9702025			O型密封圈25*2.4			O-Ring25*2.4			1		
11	7009002			机油滤盖板垫片			Oil filer Cover Gasket			1		
12	7009001			机油滤清器盖板			Oil filter Cover			1		
13	9902061			螺栓M6*8			Bolt M6*8			2		
SU178/SU186 Oil Filter Assem												
9	7809200			机油滤清器部件			Oil filter Assem			1		
10	9702025			O型密封圈25*2.4			O-Ring25*2.4			1		
11	9902064			螺栓M6*14			Bolt M6*14			1		
12	7809005			进油导管			Intake Pipe			1		

10 燃油系统 FUEL TANK & FUEL PIPE ASSEMBLY

SU170/SU178/SU186

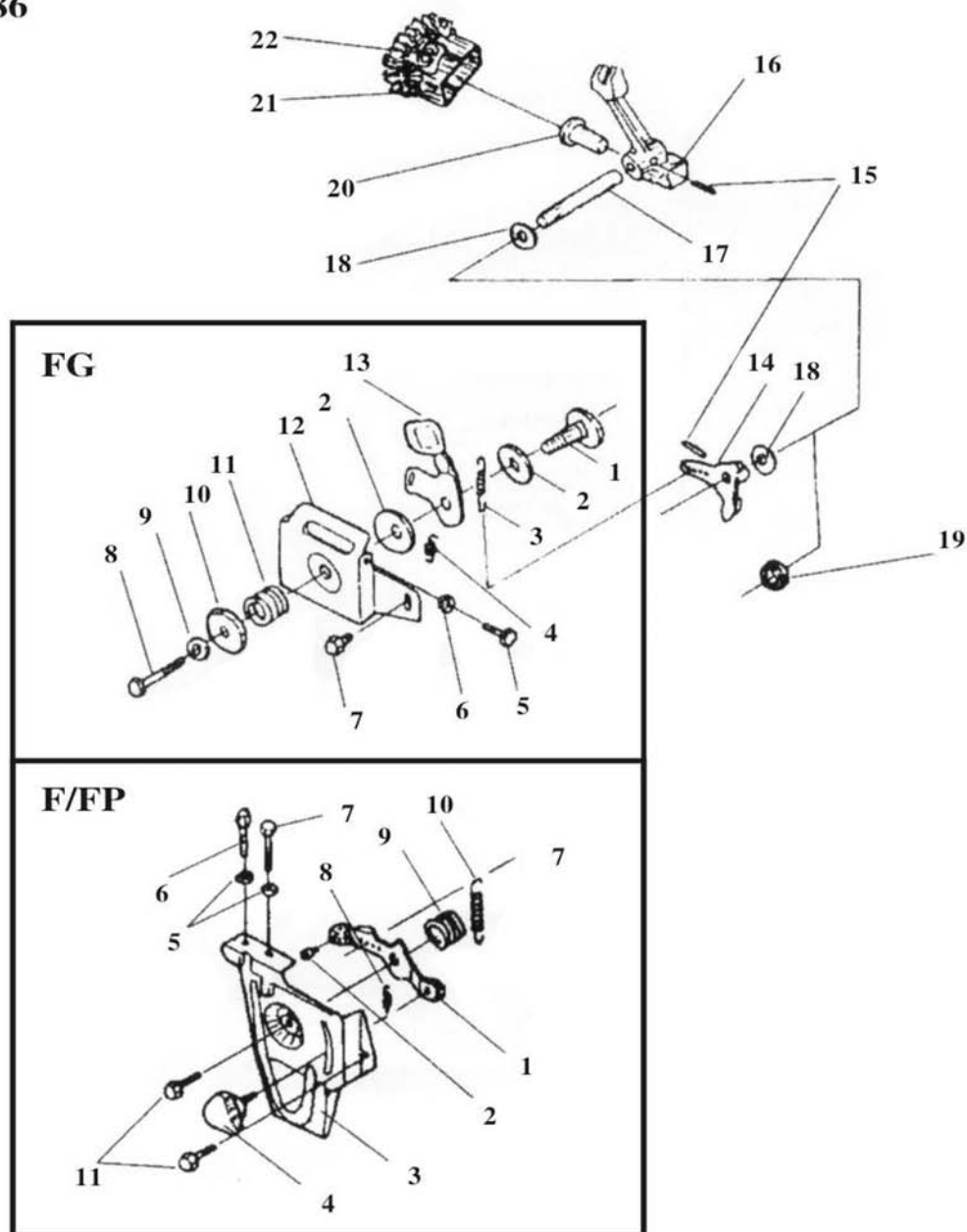


10 燃油系统总成 FUEL TANK & FUEL PIPE ASSEMBLY

序号	编号			名称			英文名称			数量		
	CODE			DESCRIPTION			DESCRIPTION			QUANTITIES		
	SU170	SU178	SU186	SU170	SU178	SU186	SU170	SU178	SU186	SU170	SU178	SU186
1	9902086			螺栓M8*45			Bolt M8*45			1		
2	7010003			油箱上支架紧固螺栓			Upper Stay Bolt			1		
3	9903080			平垫圈8			Washer8			1		
4	7010001	7810001	8610001	油箱上支架			Upper Stay			1		
5	7010002			油箱减震垫			Damper			4		
6	7010013			回油管卡箍			Clamp			2		
7	7010012			回油管			Fuel Oil Return Pipe			1		
8	7010005			油面管卡箍			Clamp			2		
9	7010006			油面管			Fuel Level Pipe			1		
10	9902064			螺栓M6*14			Bolt M6*14			2		
11	7010400			油箱开关体部件			Fuel Tank Cock Assem			1		
12	9702132			O型密封圈13.2*1.8			O-Ring 13.2*1.8			1		
13	7010011			输油管卡箍			Clamp			2		
14	7010009			输油管			Fuel oil Pipe			1		
15	7010007			柴油滤清器垫片			Fuel oil Filter Gasket			1		
16	7010300	7810300	8610300	柴油滤清器			Filter Element Assem			1		
17	7010500	7810500	8610500	高压油管部件			Fuel Injection Pipe Assem			1		
18	7010201	7810201	8610201	油箱焊接部件			Fuel Tank Welded Assem			1		
19	7010004			柴油滤网杯			Fuel Oil Filter			1		
20	7010015			油标			Fuel Lever Mark			1		
21	7010100			油箱盖部件			Fuel Tank Cap Assem			1		
22	7010014			油箱下支架			Lower Stay Assem			1		
23	9901061			螺母M6			Nut M6			2		
24	7010016			油箱放油螺塞垫片			Fuel Tank Oil Plug Seal Assem			1		
25	9902121			螺栓M12*1.25×14			Bolt M12*1.25×14			1		
26			8610017	减震支架			Fuel Injection Pipe Dampcr			1		

11 调速及操纵系统 GOVERNOR & CONTROL SYSTEM

SU170/SU178/SU186

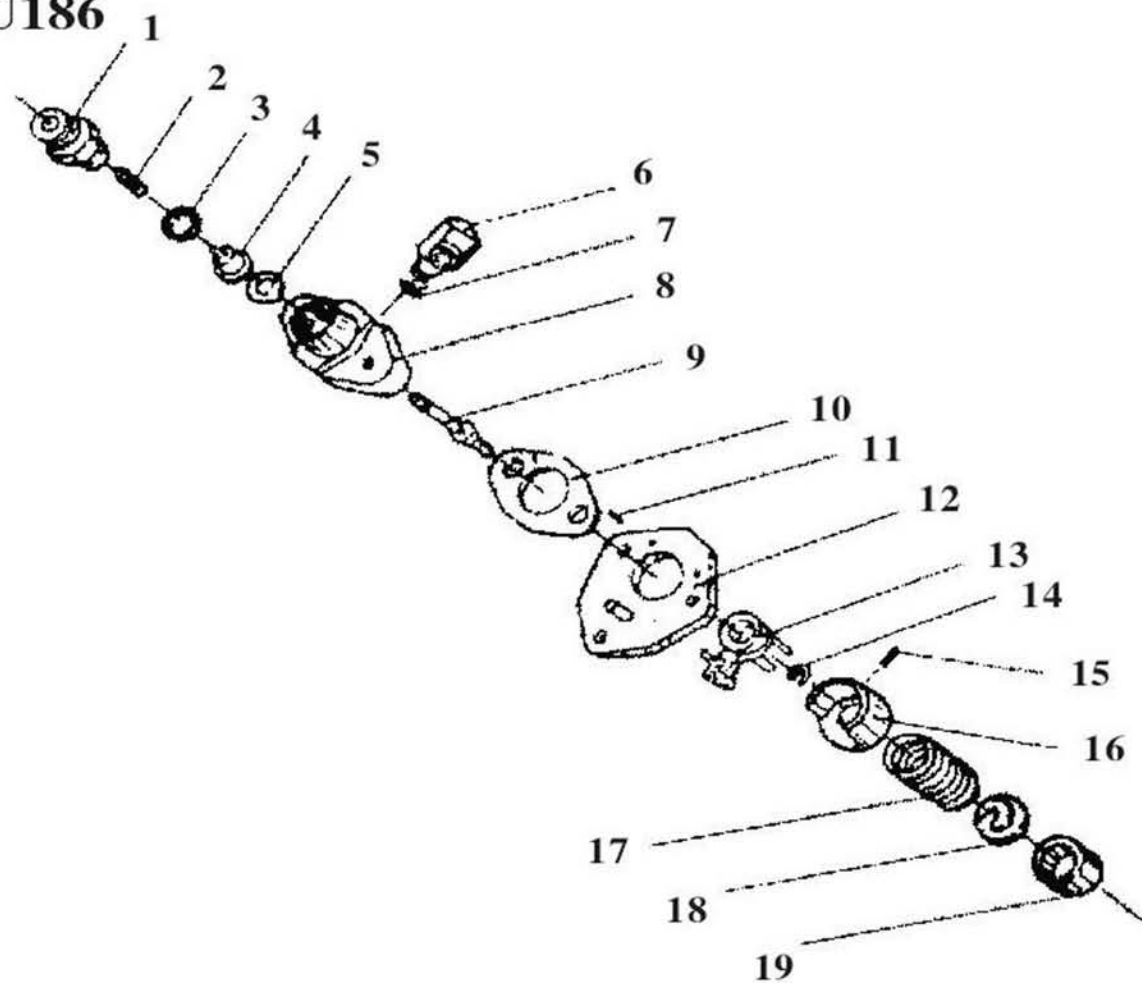


调速及操系充 GOVERNOR&CONTROLSYSTBM(F/FP)

序号	编号			名称			英文名称			数量		
	CODE			DESCRIPTION			DESCRIPTION			QUANTITIES		
	SU170	SU178	SU186	SU170	SU178	SU186	SU170	SU178	SU186	SU170	SU178	SU186
1	7011303			操纵手柄部件			Control Handle			1		
2	7011302			拉杆头			Pull Lever Head			1		
3	7011304			操纵手柄支架			Handle Bracket			1		
4	7011301			手柄			Hadle			1		
5	9901060			螺母M6			Nut M6			2		
6	7011305			拉线螺栓			Pull Bolt			1		
7	7011306			高速限位螺钉			High Speed Limit Screw			1		
8	7011006			回位弹簧 II			Return Spring II			1		
9	7011005			回位弹簧 I			Return Spring I			1		
10	7011007		8611007	调速弹簧			Governor Spring			1		
11	9902064			螺栓M6*14			Bolt M6*14			1		
12	9902069			螺栓M6*20			Bolt M6*20			1		

12 喷油泵总成 FUFL INJECTION PUMP ASSEMBLY

SU170/SU178/SU186

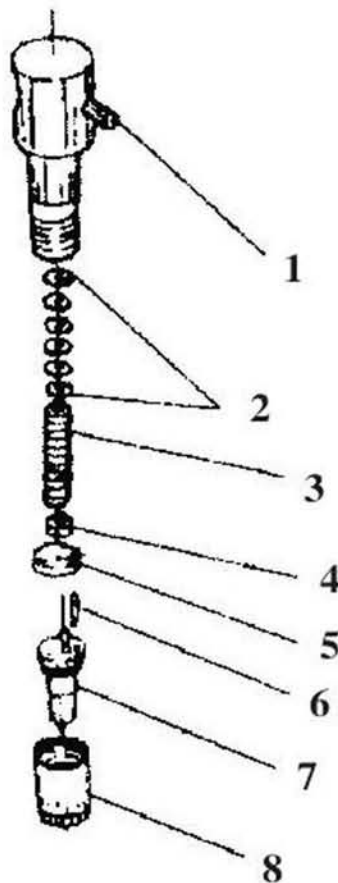


12 喷油泵总成 FUEL INJECTION PUMP ASSEMBLY

序号	编号			名称			英文名称			数量		
	CODE			DESCRIPTION			DESCRIPTION			QUANTITIES		
	SU170	SU178	SU186	SU170	SU178	SU186	SU170	SU178	SU186	SU170	SU178	SU186
1	7012006			出油阀紧座			Delivery Holder			1		
2	7012008			出油阀弹簧			Delivery Spring			1		
3	7012009			出油阀封垫			Delivery Gasket			1		
4	7012201			出油阀芯			Delivery Valve			1		
5	7012202			出油阀座			Delivery Seat			1		
6	7012400			油管接体焊接件			Joint			1		
7	7012005			O型圈			O-Ring			1		
8	7012101	8612101		泵体			F.I.prmp Body			1		
9	7012100	8612100		柱塞			Plunger			1		
10	7012013			垫片			Shim Set			按需When Necessary		
11	9905206			销2*6			Pin2*6			2		
12	7012011			泵体连接板			Packing			1		
13	7012300			油量控制套筒焊接件			Control lever Assem			1		
14	7012004			钢丝挡圈			Snap Ring			1		
15	9905308			销3*8			Pin3*8			1		
16	7012012			支承体			Spring Seat			2		
17	7012016			柱塞弹簧			F.I.Pump Spring			1		
18	7012015			弹簧下座			Spring Seat			1		
19	7012014			挺柱体			Tappet			1		

13 喷油器总成 FUEL NOZZLE ASSEMBLY

SU170/SU178/SU186

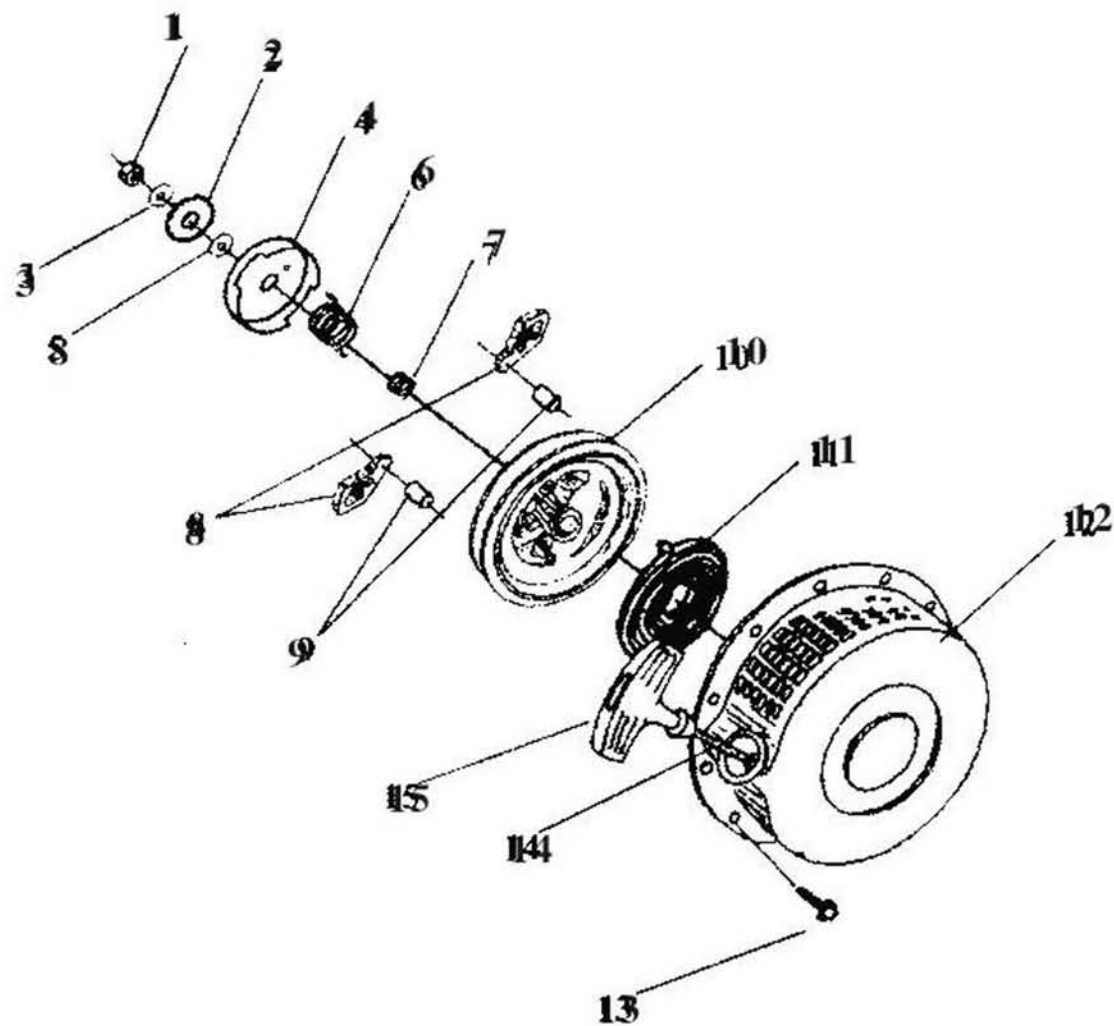


13 喷油器总成 FUEL NOZZLE ASSEMBLY

序号 NO.	编号			名称			英文名称			数量		
	CODE			DESCRIPTION			DESCRIPTION			QUANTITIES		
	SU170	SU178	SU186	SU170	SU178	SU186	SU170	SU178	SU186	SU170	SU178	SU186
1	7013200			喷油器体部件			Nozzle Holder Assem			1		
2	7013007			垫片			Shim Pack			按需When Necessary		
3	7013006			调压弹簧			Nozzle Spring			1		
4	7013005			顶杆			Spring Retainer			1		
5	7013003			中间体			Stop Plate			1		
6	7013004			定位销			Pin			2		
7	7013100		8613100	喷油嘴偶件			Nozzie Valve			1		
8	7013002			喷油嘴紧帽			Nozzle Case Nut			1		

14 手拉起动总成 RECOIL STARTER ASSEMBLY

SU170/SU178/SU186

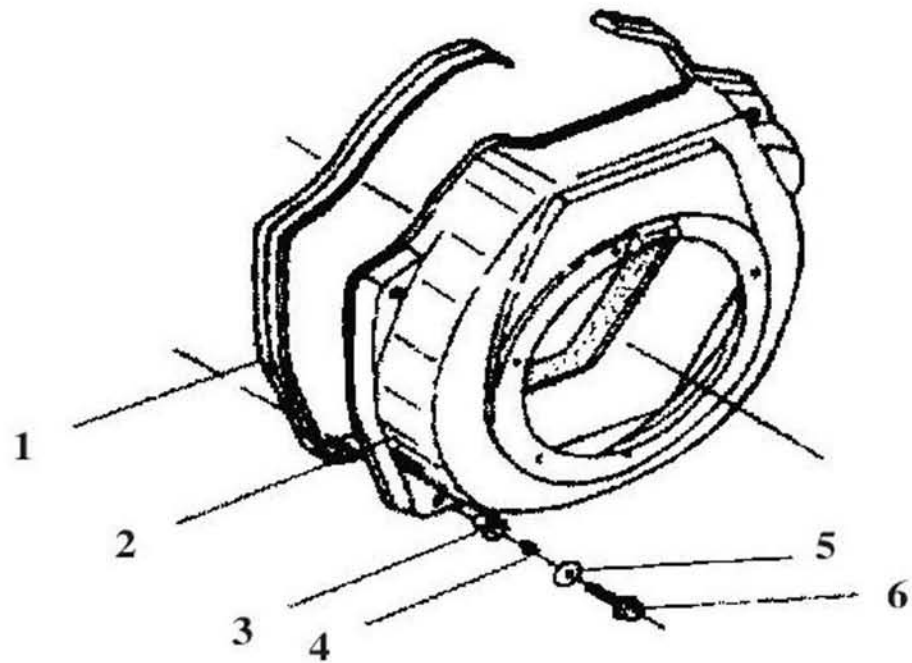


14 手拉起动总成 RECOIL STARTER ASSEMBLY

序号	编号			名称			英文名称			数量		
	CODE			DESCRIPTON			DESCRIPTION			QUANTITIES		
	SU170	SU178	SU186	SU170	SU178	SU186	SU170	SU178	SU186	SU170	SU178	SU186
1	9901061		9901081	螺母M6			Nut M6			1		
2	7014006			摩擦盘			Friction Plate			1		
3	7014003			摩擦盘垫片			Friction Washer			1		
4	7014004			起动爪压盘			Ratchet Plate			1		
5	9903060			平垫圈6			Washer6			1		
6	7014005			扭转弹簧			Return Spring			1		
7	7014002			压缩弹簧			Push Spring			1		
8	7014001			起动爪			Ratchet			2		
9	9905082			销8*18			Pin8*18			2		
10	7014012	7814012	8614012	起动拉盘			Reel			1		
11	7814009		8614009	平面蜗卷弹簧			Spiral Spring			1		
12	7014100	7814100	8614100	手拉盘外壳部件			Case Assem			1		
13	9902061			螺栓M6*8			Bolt M6*8			4		
14	7014008	7814008	8614008	起动拉绳			Starter Rope			1		
15	7014007	7814007		起动手柄			Starter Handle			1		

15 导风罩总成 COOLING DEVICE ASSEMBLY

SU170/SU178/SU186

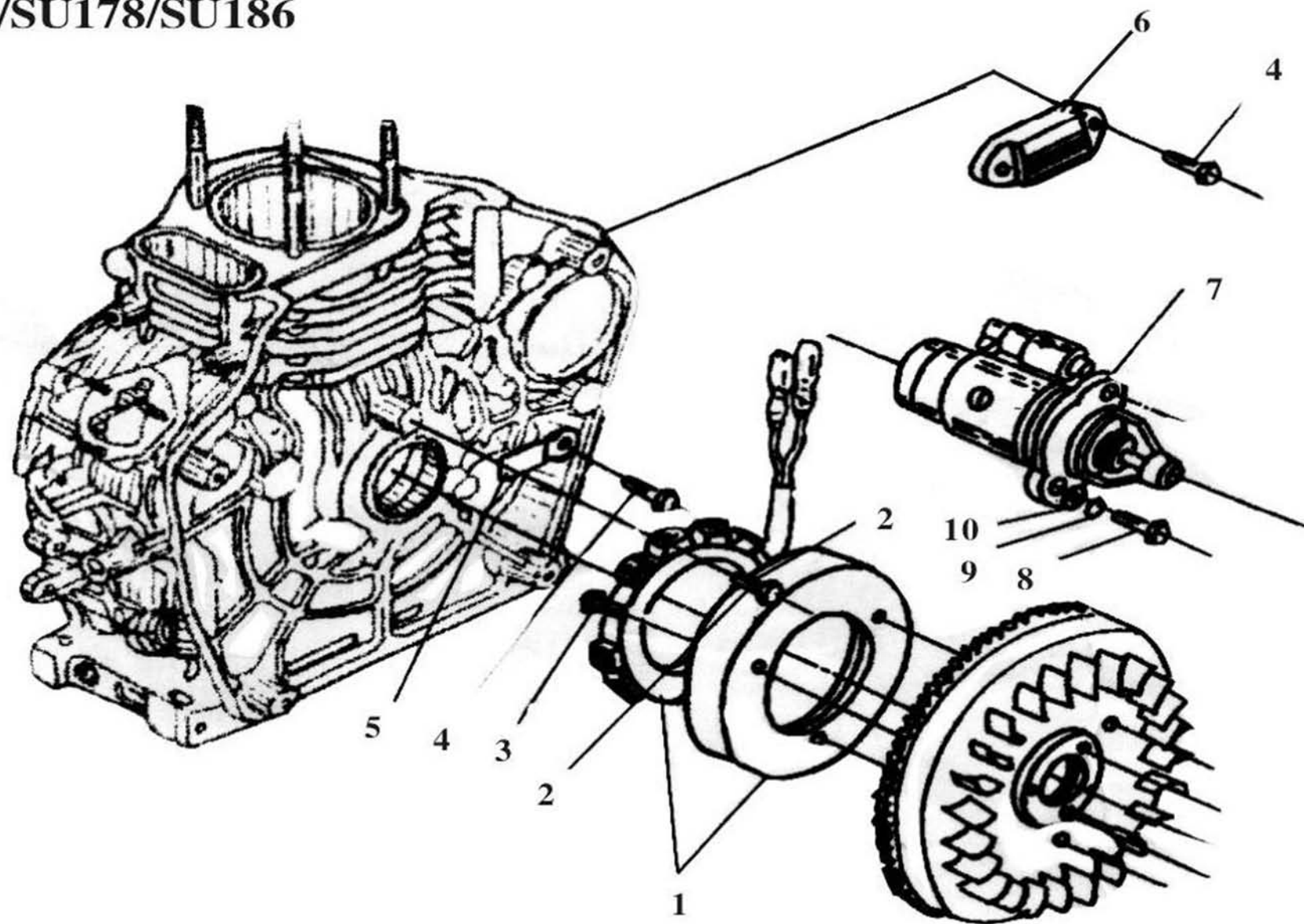


15 导风罩总成 COOLING DEVICE ASSEMBLY

序号	编号			名称			英文名称			数量		
	CODE			DESCRIPTION			DESCRIPTION			QUANTITIES		
	SU170	SU178	SU186	SU170	SU178	SU186	SU170	SU178	SU186	SU170	SU178	SU186
1	7017003	7817003	8617003	减震垫			Shock Absorber Seat			1		
2	7017100	7817100	8617100	导风罩焊接件			Fan Case Welded Assem			1		
3	7017002			减震套			Shock Absorber			4	5	4
4	7017003			衬套10*10			Collar			4	5	4
5	9903063			大垫圈6			Washer6			4	5	4
6	9902070			螺栓M6*22			Bolt M6*22			4	5	4

16 起动机及发电机系统 STARTER & GENERATOR ASSEMBLY

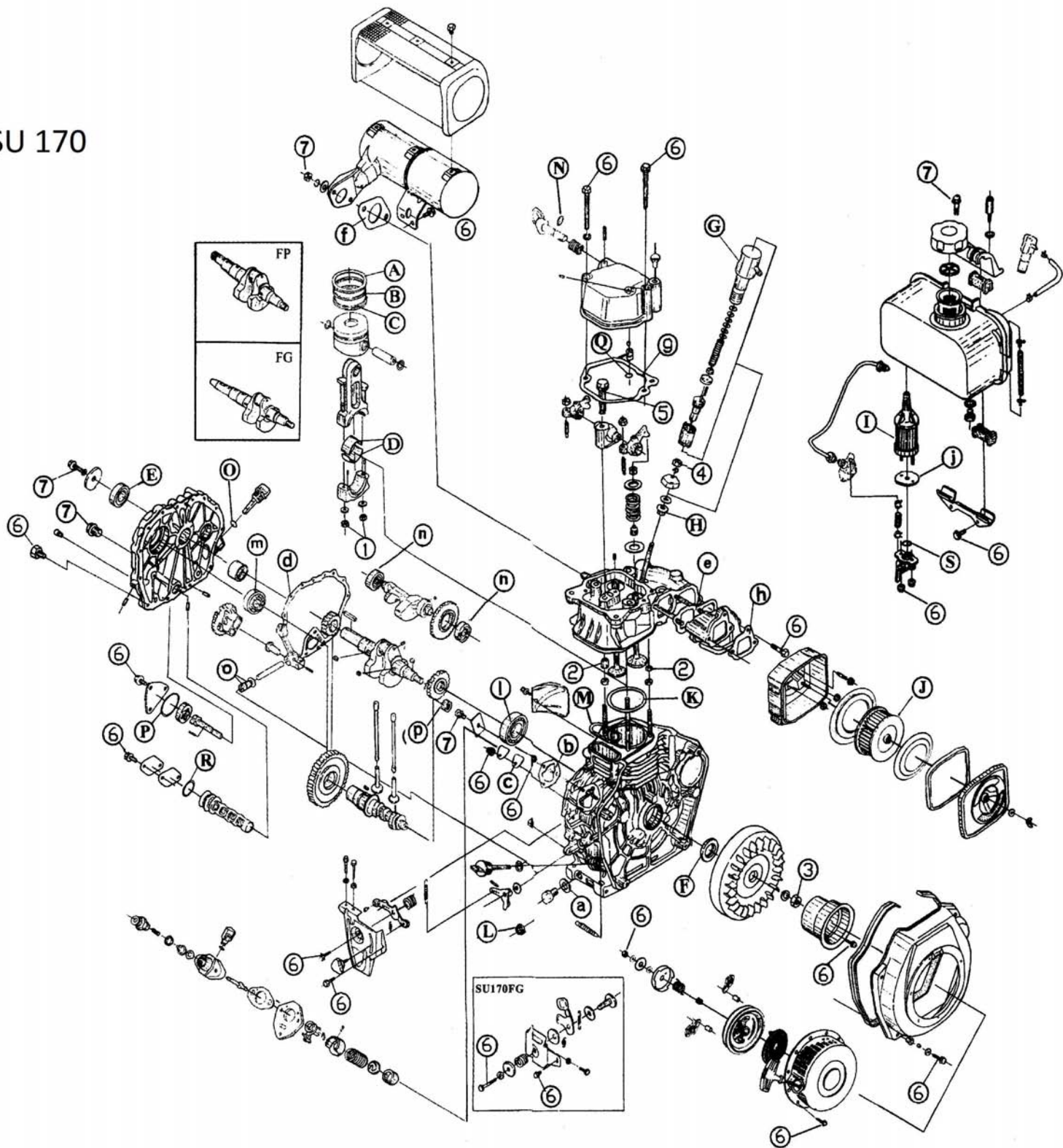
SU170/SU178/SU186



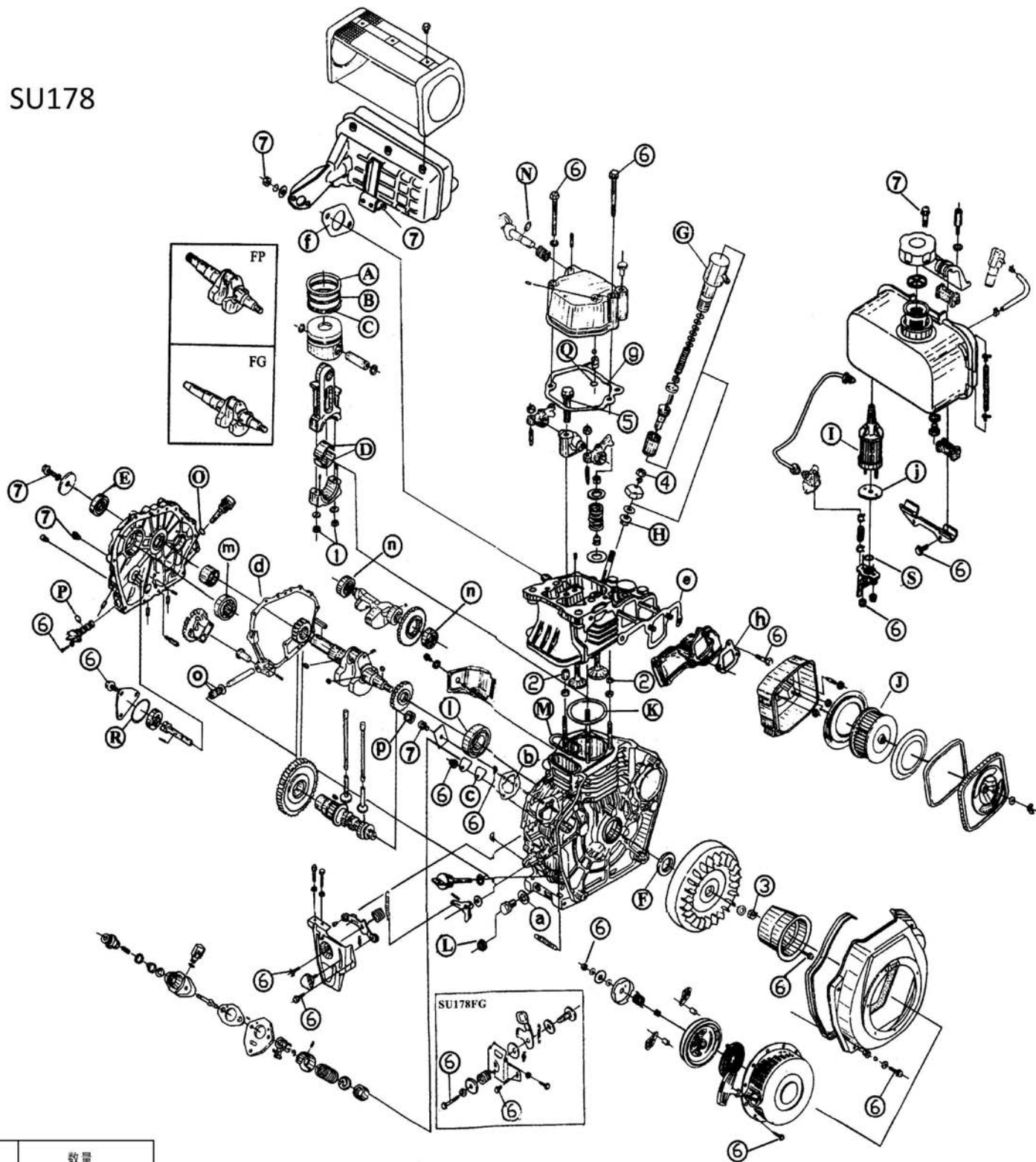
16 起动机及发电机系统 STARTER & GENERATOR ASSEMBLY

序号 NO.	编号			名称			英文名称			数量		
	CODE			DESCRIPTION			DESCRIPTION			QUANTITIES		
	SU170	SU178	SU186	SU170	SU178	SU186	SU170	SU178	SU186	SU170	SU178	SU186
1	7016100			飞轮发电机			Fly Wheel Generator			1		
2	9902067			螺栓M6*20			Bolt M6*20			3		
3	9902063			螺钉M6*12			Screw M6*12			3		
4	9902062			螺栓M6*12			Bolt M6*12			3		
5	7016003			压板			Clamp			1		
6	7016004			整流稳压器			Regulator			1		
7	7016005			起动机			Starting motor			1		
8	9902103			螺栓M10*35			Bolt M10*35			2		
9	9903100			平垫圈10			Washer10			2		
10	9903101			弹垫圈10			Washer10			2		

SU 170

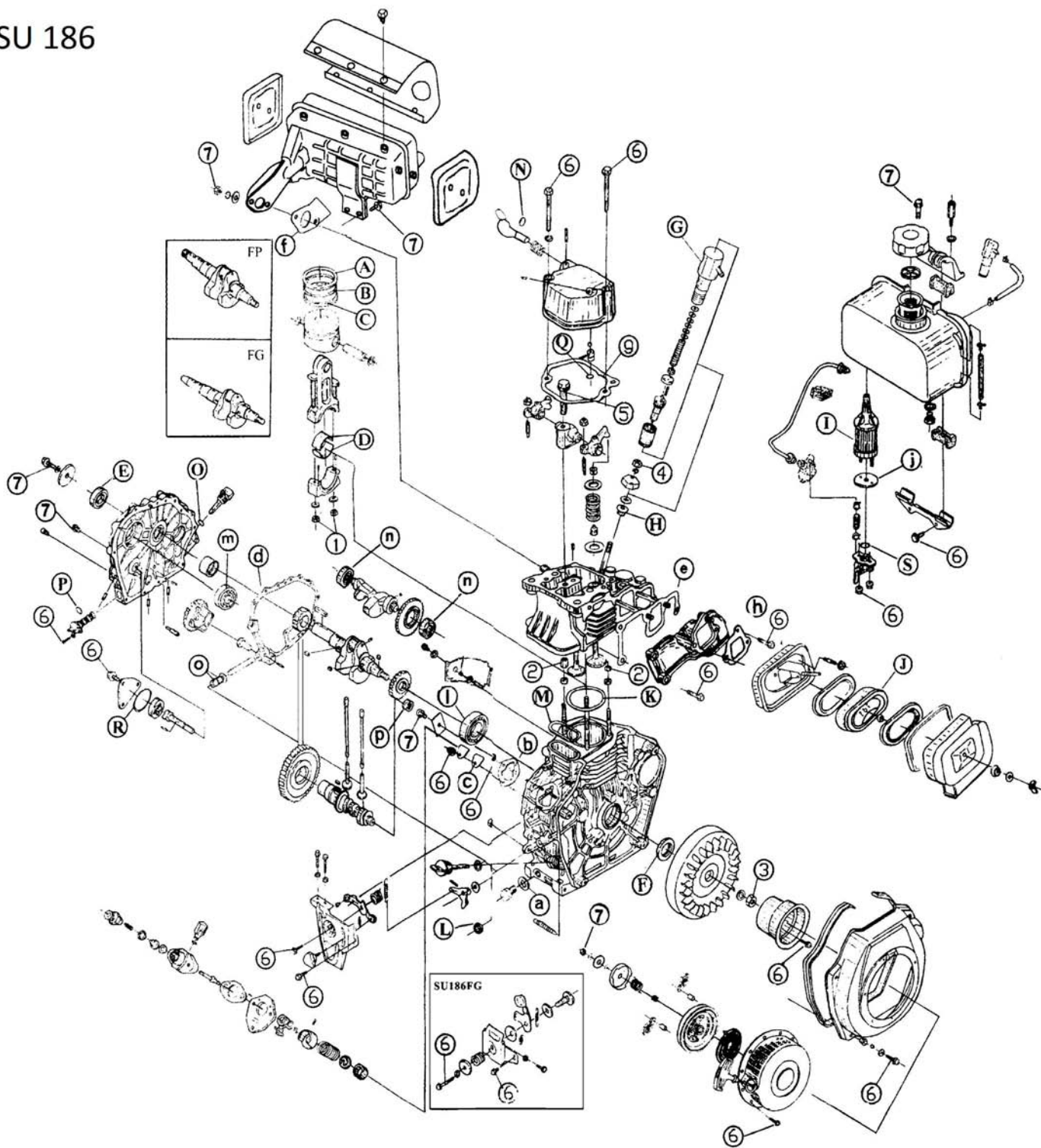


SU178



数量			
QUANTITIES			
SU186	SU170	SU178	SU186

SU 186



垫圈组 FULL GASKET SETS

序号	编号			名称			英文名称			数量		
	CODE			DESCRIPTION			DESCRIPTION			QUANTITIES		
	SU170	SU178	SU186	SU170	SU178	SU186	SU170	SU178	SU186	SU170	SU178	SU186
a	7001100			放油螺塞垫片			Oil Plug Seal Assem			1		
b	7012001			喷油泵垫片			Fuel Injection Pump Gasket			1		
c	7012002			密封板垫片			Seal Gasket			1		
d	7001015	7801015	8601015	曲轴箱盖垫片			Crank Case Gasket			1		
e	7002014	7802014	8602014	进气管垫片			Air Intake Gasket			1		
f	7002015	7802015	8602015	消声器垫片			Silencer Gasket			1		
g	7003003		8603003	气缸盖罩垫片			Bonnet Gasket			1		
h	7007001		8607001	空气滤清器垫片			Air Cleaner Gasket			1		
i	7009002			机油滤盖板垫片			Oil Filter Gasket			1		
j	7010007			柴油滤垫片			Fuel Oil Filter Gasket			1		

轴承 BEARINGS

序号	编号			名称			英文名称			数量		
	CODE			DESCRIPTION			DESCRIPTION			QUANTITIES		
	SU170	SU178	SU186	SU170	SU178	SU186	SU170	SU178	SU186	SU170	SU178	SU186
l	9801306	9801307	9801308	滚动轴承			Ball Bearing			1		
				6306	6307	6308	6306	6307	6308			
m	9801205	9801206	9801203	6205	6206	6207	6205	6206	6207	2		
n	9801202		9801203	6202		6203	6202		6203	2		
o	9802008			滚针轴承7941/8			Needle Bearing 7941/8			1		
p	9802015			滚针轴承37941/15			Needle Bearing 37941/15			1		

易损件 EASY DESTROYED PARTS

序号	编号			名称			英文名称			数量		
	CODE			DESCRIPTION			DESCRIPTION			QUANTITIES		
	SU170	SU178	SU186	SU170	SU178	SU186	SU170	SU178	SU186	SU170	SU178	SU186
A	7004100	7804100	8604100	油环部件			Oil Ring Set			1		
B	7004001	7004001	8604001	第一道气环			First Gas Ring			1		
C	7004002	7004002	8604002	第二道气环			Second Gas Ring			1		
D	7004005	7804005	8604005	连杆轴瓦			Crank Pin Bearing			2		
E	9701025	9701302	9701351	油封			Oil Seal			1		
				SG25*42*10	SG30*45*10	SG35*50*10	SG25*42*10	SG30*45*10	SG35*50*10			
F	9701301		9701351	油封			Oil Seal			1		
				SG30*45*8	SG35*50*10	SG30*45*8	SG35*50*10					
G	7013000	7813000	8613000	喷油咀			Nozzle Valve			1		
H	7002011			隔热套			Spacer			1		
I	7010300	7810300	8610300	柴油滤芯部件			Filter Element Assem			1		
J	7007100		8607100	空气滤芯部件			Air Cleaner Element Assem			1		
K	7001013	7801013	8601013	气缸盖垫片			Cylinder Head Gasket			1		
L	7011008			油封SG8×14×2.5			Oil Seal SG8 × 14 × 2.5			1		
M	7001008	7801008	8601008	密封圈			Ring			1		
N	9702010			O形密封圈10×1.9			O-Ring10 × 1.9			1		
O	9702024			O形密封圈24×2.4			O-Ring24 × 2.4			2		
P	9702025			O形密封圈25×2.4			O-Ring25 × 2.4			1		
Q	9702012			O形密封圈12×1.9			O-Ring12 × 1.9			1		
R	9702345			O形密封圈34.5×1.8			O-Ring34.5 × 1.8			1		
S	9702132			O形密封圈13.2×1.9			O-Ring13.2 × 1.9			1		

油封 SEALS

序号	编号			名称			英文名称			数量		
NO.	CODE			DESCRIPTION			DESCRIPTION			QUANTITIES		
	SU170	SU178	SU186	SU170	SU178	SU186	SU170	SU178	SU186	SU170	SU178	SU186
E	9701025	9701302	9701351	油封			Oil Seal			1		
				SG25*42*10	SG30*45*10	SG35*50*10	SG25*42*10	SG30*45*10	SG35*50*10			
F	9701301		9701351	油封			Oil Seal			1		
				SG30*45*8		SG35*50*10	SG30*45*8		SG35*50*10			
L	7011008			油封SG8*14*2.5			Oil Seal SG8*14*2.5			1		

主要螺栓、螺母拧紧力矩一览表TORQUE FOR TIHGTEN UP MAIN SCREW BOLT AND NUT 单位：牛顿.米unit: N·m

序号 NO.	名称 Description	型号 Model	SU170	SU178	SU186
1	连杆螺母 Connecating rod nut		25~30		40~45
2	气缸盖螺母 Cylinder head nut		28~32	42~46	54~58
3	飞轮螺母 Fly wheel nut		120~130		130~150
4	喷油器压板螺母 Nozzle retainer		10~12		
5	摇臂座紧固螺栓 Tight screw bolt of Rockt support		20~22		43~47
6	标准M6螺栓 Standard M6 bolt		10~12		
7	标准M8螺栓 Standard M8 bolt		18~22		