

timberk



серия MS2



серия RS2



серия RS7



серия RS1

Руководство по эксплуатации Instruction manual

Накопительный
водонагреватель

Storage water
heater

Модели / Models

SWH RS1 30 V
SWH RS1 50 V
SWH RS1 80 V
SWH RS1 100 V

SWH RS2 30 H
SWH RS2 50 H
SWH RS2 80 H

SWH MS2 10 H

SWH RS7 30 V
SWH RS7 40 V
SWH RS7 50 V

Производитель вправе менять внешний вид прибора и цветовую гамму прибора без специального уведомления.
Outlook of devices, aslo colour scores can be revised without any special advance notices.

TABLE OF CONTENTS

1. Important information.....	2
2. Precautions.....	2
3. Performance parameters.....	3
Technical characteristics.....	4
Dimensional features.....	4
4. Water heater description.....	5
5. Scope of delivery.....	6
6. Water heater installation.....	6
Location.....	6
Water heater mounting methods.....	7
Water heater mounting.....	8
Connection to water main.....	8
Connection to electric mains.....	9
Ground Fault Circuit Interrupter (GFCI).....	9
7. Water heater control.....	10
8. Water heater operation.....	11
9. Maintenance.....	12
10. Troubleshooting.....	13
11. Wiring diagram.....	13
12. Disposal.....	14

Dear Customer!

Thank you for your good choice. You purchased TIMBERK electric storage water heater with a stainless steel internal tank. It will serve you for a long time!


TIMBERK electric storage water heaters will provide a lot of hot water and will automatically maintain the specified temperature. They are perfect to provide hot water for country houses, cottages, baths and other standalone amenity rooms.

1. IMPORTANT INFORMATION

Please, read this operation manual carefully prior to use of the water heater. This operation manual contains important information regarding your safety, as well as recommendations on the proper operation of the unit and its maintenance.

Save this operation manual together with the guarantee card, cash register receipt, if possible, cardboard box and packing material.

Different types of this device are described in this manual. The purchased water heater can slightly differ from the one, described in the manual, but that doesn't affect methods of its use and operation.

 **IMPORTANT PRECAUTIONS AND INSTRUCTIONS, CONTAINED IN THIS MANUAL, DO NOT ACCOUNT FOR ALL POSSIBLE MODES AND SITUATIONS TO BE ENCOUNTERED. IT IS VITAL TO UNDERSTAND THAT COMMON SENSE, CAUTION AND THOROUGHNESS ARE THE FACTORS THAT ARE IMPOSSIBLE TO BE BUILT-IN IN ANY PRODUCT. THESE FACTORS MUST BE TAKEN INTO CONSIDERATION BY A PERSON, INTERESTED IN PROPER OPERATION OF THE UNIT. THE MANUFACTURER DOES NOT BEAR ANY RESPONSIBILITY IN CASE WHEN THE UNIT OR ITS PARTS ARE DAMAGED DURING TRANSPORTATION, AS A RESULT OF IMPROPER INSTALLATION, VOLTAGE FLUCTUATIONS, AS WELL AS IF SOME PART OF THE UNIT WAS ALTERED OR MODIFIED.**

2. PRECAUTIONS

A number of precautions is to be observed upon operation of the fan heater. Improper operation as a result of ignoring precautions may harm health of the user and other people, as well as damage their property.

1. Any electrical appliance must be supervised when in operation, especially if there are children nearby. Make sure children do not touch the appliance.
2. Prior to installing the water heater, not connecting it to electrical main, check and make sure the outlet for the water heater has a ground pin and if it is properly earthed. If there is no earth circuit in your electrical main then operation of the water heater is dangerous for your life.

3. Connect the water heater only to 230V, 50Hz main. If necessary, find out parameters of your mains at power suppliers.
4. To prevent overheating and risk of fire, as well as damage of internal electrical main, do not modify the power cord's length and do not connect the water heater through electrical extenders.
5. It is forbidden to switch on the water heater if it is not filled with water or if water cannot go through a pressure safety valve.
6. Never use the water heater if it is broken.
7. Do not remove the water heater cover when it is in operation.
8. Immediately unplug the water heater from electrical main if strange sounds, odor or smoke are coming from it.
9. Always unplug the water heater from electrical main during a thunderstorm.
10. Prior to cleaning and maintenance of the water heater unplug it from electrical main. Cleaning and maintenance must be performed in compliance with instructions of this operation manual.
11. Do not use hazardous chemical substances to clean the water heater and prevent their contact with the appliance.
12. To prevent electrical shock the damaged power cord must be replaced only in manufacturer's authorized service centers by qualified specialists.
13. To prevent electrical shock do not place the power cord nearby heating devices and flammables or combustibles.
14. Do not press buttons on the control panel of the water heater and its remote controller (for some models) otherwise but by your fingers.
15. Since temperature of water in the water heater can reach 75°C, when it is in operation you should not place your body parts under hot water at the first run.
To prevent burns you should adjust the temperature of the discharging water.
16. Do not use the water heater for purposes not specified by this operation manual.
17. Do not use the water heater in an explosive or corrosive environment. Do not store gas and other volatile flammable liquids next to the appliance – it is very dangerous!

18. It is forbidden to make alterations in the design of the water heater or modify it.

19. Any service operations must be performed by a specialized organisation and qualified specialists. Improper installation may cause voiding of guarantee maintenance.

20. The water heater is not intended for use by children and persons with reduced physical, sensory or mental capabilities, or a lack of experience and knowledge, unless they have been given supervision or instruction concerning use of the appliance by an individual responsible for their safety. Children should be supervised to ensure that they do not play with the appliance.

3. PERFORMANCE PARAMETERS

1. Completely automatic control: automatic water heating, continuous automatic water temperature control.

2. 3D Logic® three-stage protection system:

DROP Defense – leakage protection and protection against surplus pressure within a tank (pressure safety valve)

SHOCK Defense – current leakage protection (GFCI is built in the plug of appliance's power cord)

HOT Defense – two-stage overheating protection (thermostat and temperature limiter)

ALL PROTECTION SYSTEMS ARE RELIABLE AND SAFE.

3. Pipes of heating elements are designed taking into account high heat load: safe and reliable, with an increased service life.

4. NON CFC urethane foam insulation of increased thickness: excellent heat insulation that allows to efficiently retain accumulated heat and save energy.

5. Temperature controller: accurate and reliable water temperature control.

6. Internal tanks and all internal components are made out of SUS 304 stainless steel with walls 1.2 mm thick.

7. Magnesium anode is for additional protection of the tank and seam joints.

Technical characteristics

Technical characteristics of water heaters are given below in Table 1.

Table 1

Description	Units	Product item										
		SWH RS1 30 V	SWH RS1 50 V	SWH RS1 80 V	SWH RS1 100 V	SWH RS2 30 H	SWH RS2 50 H	SWH RS2 80 H	SWH MS2 10 H	SWH RS7 30 V	SWH RS7 40 V	SWH RS7 50 V
Product item	V/Hz	230	230	230	230	230	230	230	230	230	230	230
Rated current	A	8,7	8,7	8,7	8,7	8,7	8,7	8,7	5,2	8,7	8,7	8,7
Rated power	W	2000	2000	2000	2000	2000	2000	2000	1200	2000	2000	2000
Tank capacity	L	30	50	80	100	30	50	80	10	30	40	50
Rated pressure	Mpa	0,7	0,7	0,7	0,7	0,7	0,7	0,7	0,7	0,7	0,7	0,7
Water protection	-	IPX4	IPX4	IPX4	IPX4	IPX4	IPX4	IPX4	IPX4	IPX4	IPX4	IPX4
Heating time, at $\Delta 30^{\circ}\text{C}$	min	18	38	57	71	18	38	57	10 при 25°C	23	33	43
Appliance dimensions (H x W x D)	mm	Ø345x606	Ø345x865	Ø410x945	Ø410x1100	Ø345x606	Ø345x865	Ø410x945	Ø220x430	Ø290x750	Ø290x950	Ø290x1160
Net weight	kg	7	8,93	13,5	14,7	7	8,93	13,5	3,8	9,5	11,5	13,5



IMPORTANT!

Technical characteristics of the water heater you purchased as of the date of manufacture correspond to data, specified in the table. Technical characteristics and scope of delivery can be revised without any prior notice.

Dimensional features

Dimensional features of MS2 series water heater (in mm) according to Fig.1, are given below in Table 2.

Table 2

	Capacity, l	A	B	C	D	E
MS2 series	10	232	220	470	100	147.5

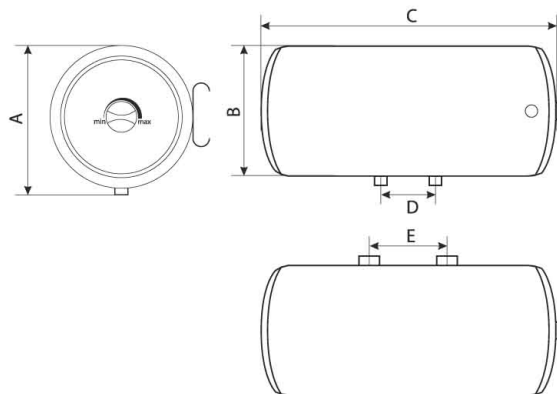


Fig. 1

Dimensional features of RS1 series water heater (in mm) according to Fig.2 are given below in Table 3.

Table 3

	Capacity, l	A	B	C	D	E	F
RS1 series	30	608	624	180	343	8	122,5
	50	848	864	310	343	8	122,5
	80	858	874	425	411	8	158,5
	100	1003	1020	570	411	8	158,5

Dimensional features of RS2 series water heater (in mm) according to Fig.3 are given below in Table 4.

Table 4

	Capacity, l	A	B	C	D	E	F
RS2 series	30	614	356	180	343	8	178
	50	864	356	310	343	8	178
	80	890	426	425	411	8	213,5
	100	1058	426	570	411	8	213,5

Dimensional features of RS7 series water heater (in mm) according to Fig.4 are given below in Table 5.

Table 5

	Capacity, l	A	B	C	D	E	F
RS7 series	30	750	758	320	298	14	77,5
	40	950	958	450	298	14	77,5
	50	1160	1168	600	298	14	77,5

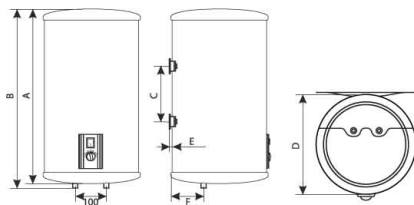


Fig. 2

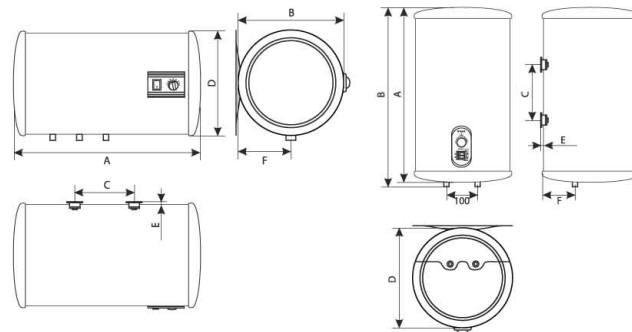


Fig. 3

Fig. 4

4. WATER HEATER DESCRIPTION RS2 series (Fig.5)

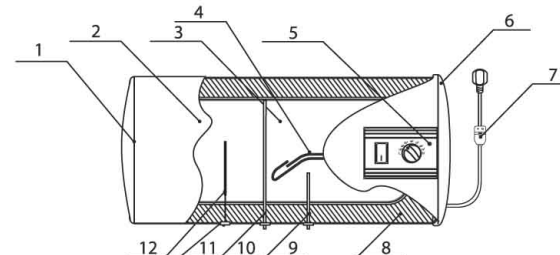
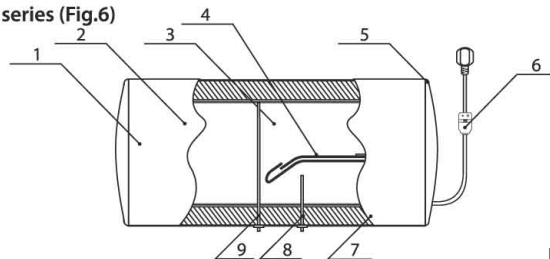


Fig. 5

- 1 – left composite protective cover
- 2 – external case
- 3 – inner tank
- 4 – heating element
- 5 – control panel
- 6 – right composite protective cover
- 7 – power cable with GFCI
- 8 – urethane foam heat insulation layer
- 9 – inlet nozzle
- 10 – hot water outlet nozzle
- 11 – emergency water discharge nozzle
- 12 – protective magnesium anode

MS2 series (Fig.6)



- 1 – left composite protective cover
- 2 – external case
- 3 – inner tank
- 4 – heating element
- 5 – right composite protective cover
- 6 – power cable with GFCI
- 7 – urethane foam heat insulation layer
- 8 – inlet nozzle
- 9 – hot water outlet nozzle

RS1/RS7 series (Fig.7)

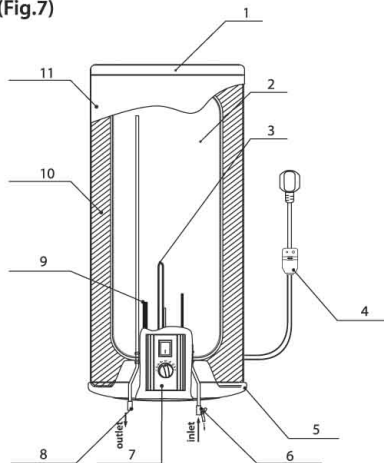


Fig. 6

- 1 – upper composite protective cover
- 2 – inner tank
- 3 – heating element
- 4 – power cable with GFCI
- 5 – lower composite protective cover
- 6 – inlet nozzle
- 7 – control panel
- 8 – hot water outlet nozzle
- 9 – protective magnesium anode
- 10 – urethane foam heat insulation layer
- 11 – external case

5. SCOPE OF DELIVERY

- 1. Water heater – 1 pc.
- 2. Anchor bolt – 2 pcs.*
- 3. Securing plate – 1 pc.**
- 4. Pressure safety valve – 1 pc.
- 5. Discharge pipe – 1 pc.
- 6. Operation manual – 1 pc.
- 7. Guarantee card – 1 pc.
- 8. Packing – 1 pc.

* – only for RS1/RS2/RS7 series

** – only for MS2 series

6. WATER HEATER INSTALLATION

Location

- 1. Electric water heater should be mounted on a firm wall.
- 2. The wall, where the electric water heater is to be mounted, must withstand at least the double weight of the water heater, fully filled with water; there must be no cracks and other damages on the wall. Otherwise it is necessary to take measures to strengthen the mounting or mount the water heater on a special support.
- 3. If a bathroom is too small, the water heater can be installed elsewhere, unexposed to direct sunlight and unavailable for moisture. However, to reduce heat losses in pipelines, the location, where a water heater is to be installed, must be as close to the place, where hot water is used, as possible.

Fig. 7



IMPORTANT!

The water heater must be mounted on a vertical wall only in the position, specified in Fig. 4, 5, 6 (RS1/RS7 series – vertically, RS2/MS2 – horizontally). Mounting of the appliance in any other position or vertical or horizontal tilting will inevitably result in failure of the water heater, emergency situation and is considered a non-guarantee case by the manufacturer.

Water heater mounting methods

Fig.8 shows the way to mount the water heater for one consumption point.

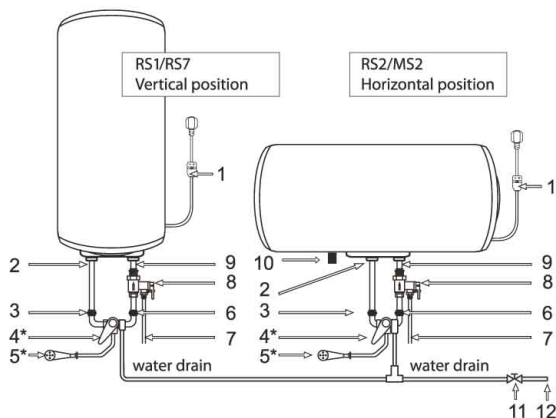


Fig. 8

- 1 – power cord with a plug and GFCI**
- 2 – outlet nozzle
- 3 – hot water flow adjustment tap*
- 4 – mixer*
- 5 – shower header*
- 6 – cold water supply adjustment tap
- 7 – discharge pipe
- 8 – composite pressure safety valve
- 9 – inlet nozzle

- 10 – magnesium anode-nozzle for water discharge (for RS2 series)
- 11 – water main shut-off valve*
- 12 – water main

* not included in the scope of delivery

** depending on the product batch, GFCI can be located not within the power cable electric plug

Water heater mounting methods

Fig.9 shows the way to mount the water heater for several consumption points.

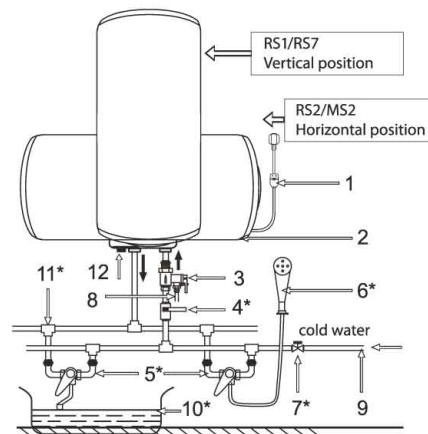


Fig. 9

- 1 – power cord with a plug and GFCI**
- 2 – mounted water heater
- 3 – composite pressure safety valve
- 4 – cold water inlet tap*
- 5 – mixer*
- 6 – shower header*
- 7 – water main shut-off valve
- 8 – discharge pipe
- 9 – water main
- 10 – tub*
- 11 – T-bend
- 12 – magnesium anode-nozzle for water discharge (for RS2 series)

* not included in the scope of delivery

** depending on the product batch, GFCI can be located not within the power cable electric plug

Water heater mounting



NOTE:

Please, use accessories, provided by the manufacturer, to install the water heater. Electric water heater must not be mounted on a wall prior you make sure that the bracket is installed firmly and securely. Otherwise the electric water heater may fall down from the wall, which may cause its damage and even serious accidents involving bodily injury. When determining points for bolt holes, it is necessary to provision some spare space between the lower part of the water heater and the floor, and as to the MS2/RS2 line there also must be some space between the right side of the water heater and the wall on the right, not less than 0.6 m to make it convenient to perform maintenance if necessary.

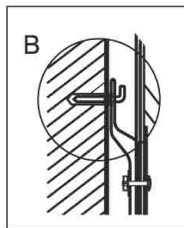


Fig.10 a

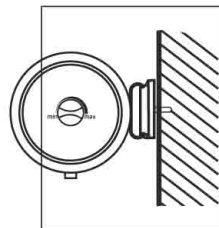


Fig.10 b

1. Electric water heater should be mounted on a firm wall. If the wall is not robust enough to hold the weight equal to the doubled weight of the overall water heater weight, fully filled with water, then it should be mounted on a special support.

2. After you chose the proper place to install the water heater, determine points for holes for expansion hook bolts (to be determined in accordance with the data sheet for the appliance you chose). Drill two holes of the corresponding depth in the wall using a drill, dimensionally fit for expansion bolts, enclosed with the water heater, insert bolts, turn the hook upwards, securely tighten nuts and then hang the electric water heater on these hooks (for RS1/RS2/RS7 series) (see Fig. 10a).

To mount MS2 series water heater, fix a securing plate on a wall and hang the water heater on it (Fig. 10 b).

3. Fix a power outlet to the wall. Requirements to the outlet are as follows: 230V/10A, single-phase, three-wired. It is recommended to place the outlet on the right side above the water heater.



NOTE:

In places or on the wall, where there may be a water contact, the power outlet installation height must be not less than 1.8 m.

Connection to water main

1. The heater must be connected to water main with at least 0.1 MPa pressure; maximum pressure is 0.7 MPa.



NOTE:

The water heater is the appliance, operating in such a manner that pressure of water in the water heater corresponds to the pressure of water in water main. If pressure in the main exceeds 0.7 MPa, then it is necessary to mount a pressure reducer before the water heater so that pressure doesn't exceed 0.7 MPa.

2. G1/2 diameter pipes are used to connect the water heater to the water pipeline.

3. To prevent a leakage when connecting pipes, use rubber sealing gaskets on the threaded pipe ends.

4. Screw a relief valve to the inlet nozzle, marked blue and embossed arrow of the water flow direction, so that the water flow direction coincides with direction of the arrow on the valve's case.



NOTE:

Do not mount additional accessories, such as a shut-off valve, between the relief valve and the inlet nozzle.

- Water heater with the mounted valve must be connected to the water main – install a shut-off valve at the water inlet point.
- Connect the desired number of consumption points to the outlet nozzle, marked red.
- Check leak integrity of joints: open the shut-off cock and one of the cock assemblies. After the tank is filled with water, as evidenced by issue of water from the cock assembly, shut the cock assembly and check the leak integrity of all joints.

**IMPORTANT!**

If water in the installation location contains a large amount of calcium, manganese or iron salts, then necessary to mount a respective filter in the delivery system to reduce the amount of scale generated in the tank and on the heating element.

Connection to electric main**IMPORTANT!**

Prior to connecting the tank water heater, make sure that the water heater is properly grounded. Proper grounding is important to minimize electric shocks and risk of fire. The power cord is equipped with a plug with a grounding pin. The appliance must be used with a properly grounded power outlet. If the outlet, you are intending to use, is not properly grounded or grounded by a time-delay fuse or a circuit breaker, contact a qualified electrician to install a proper outlet.

- The water heater is designed to be connected to 230V single-phase electric main. Prior to connecting make sure that parameters of the electric main in the place of connection correspond to parameters, specified on the identification plate with technical parameters of the appliance. You should follow the current electrical safety code when installing the water heater.
- Power outlet must be designed for rated current not less than 10A, copper stranded power cord not less than 3 x 1.5 mm² in cross section (for copper).

- The power outlet and the plug must always remain dry to prevent current leakage. Regularly check if the power plug is tightly connected to the outlet. Do it in the following order: insert the power plug into the outlet, switch off the water heater after half-hour operation and unplug the cord, check if the plug is heated by your hand. If the plug is heated over 50°C, then to prevent damages, accidents and fire as a result of bad electrical contact, replace the outlet with a new one. A specialist must do this.
- Power cord of the appliance is a single unit with GFCI (Ground Fault Circuit Interrupter).

**IMPORTANT!**

To provide reliable operation and safe use of the water heater, prior to the first run check if it is properly connected to the 220V AC mains. The water heater to be connected must be securely linked with the earth circuit of your electric mains. If the water heater is not grounded, then in case of a short circuit GFCI, supplied with the heater, may not operate. It is dangerous.

GFCI (Ground Fault Circuit Interrupter) (Fig. 11)

- Connect the cable to the mains, indicator (1) will light up.
- Press button (2) for testing, voltage will be cut off, indicator (1) will light down and restart button (3) will go upwards.
- Press button (3) to restart the appliance, voltage will be restored and indicator (1) will light up.

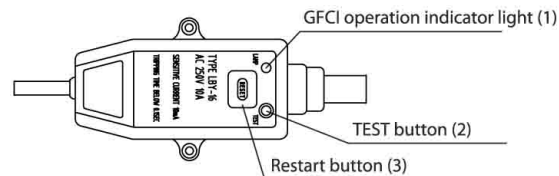


Fig. 11

**NOTE:**

- if pressing test button (2) voltage is not cut off and/or indicator (1) continues to be lighted, it means that GFCI safety device is not operating properly.
- if pressing restart button (3) voltage is not restored and/or indicator (1) doesn't light up, it means that the water heater is not operating properly. In both cases disconnect the water heater and call the service center.
- to reduce the risk of an electric shock, do not disassemble, remove or fill liquid in this appliance.

7. WATER HEATER CONTROL

Control panel for the following models:

SWH RS1 30 V

SWH RS1 50 V

SWH RS1 80 V

SWH RS1 100 V

maximum power

I – 2000 W

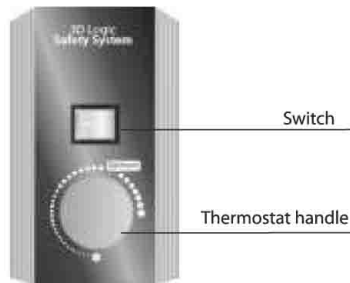


Fig. 12

* Color and design of device panels can be revised without any special notice.

Control panel for the following models:

SWH RS2 30 H

SWH RS2 50 H

SWH RS2 80 H

maximum power

I – 2000 W

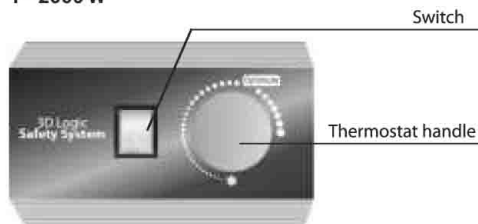


Fig. 13

Control panel for the following models:

SWH RS7 30 V

SWH RS7 40 V

SWH RS7 50 V



Fig. 14

Control panel for the following model
SWH MS2 10H

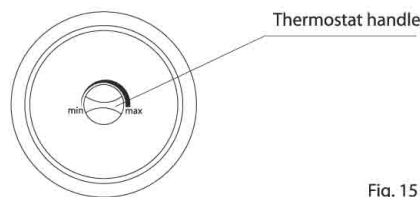


Fig. 15

8. WATER HEATER OPERATION

SWH RS1, SWH RS2, SWH MS2 series

1. At first, open one of the discharge valves on the outlet of the water heater, then open the inlet valve. The electric water heater will start filling with water. When water flows from the outlet valve freely, it means the water heater is fully filled with water and you can close the discharge tap.

Warning: During normal operation the inlet valve must be set "open".

2. Plug the power cord into the outlet, an indicator light will light up.



IMPORTANT!

Power outlet must be designed for rated current not less than 10A, copper stranded power cord not less than 3 x 1.5 mm² in cross section (for copper).

Power plug of the appliance represents a single unit with GFCI.

3. The appliance can automatically control water temperature. When water temperature in the water heater reaches the temperature, set by the user, the heating is automatically switched off, and water temperature will be maintained due to the heat insulation layer; when water temperature drops to a certain level, heating is automatically switched off, in such a way continuous hot water supply is provided. When the water heater automatically switches off, the indicator light goes out.

SWH RS7 series

1. At first, open one of the discharge valves on the outlet of the water heater, then open the inlet valve. The electric water heater will start filling with water. When water flows from the outlet valve freely, it means the water heater is fully filled with water and you can close the discharge tap.

Warning: During normal operation the inlet valve must be set "open".

2. Plug the power cord into the outlet, an indicator light will light up.



IMPORTANT!

Power outlet must be designed for rated current not less than 10A, copper stranded power cord not less than 3 x 1.5 mm² in cross section (for copper).

Power plug of the appliance represents a single unit with GFCI.


Description of control panel operation

3. Using the switch keys, you can select one of the appliance power modes. The upper key corresponds to the "NORMAL" mode (1200W, medium power), lower key - "ENERGY SAVE" mode (800W, low power), two keys pressed together - "EXPRESS HEAT" mode (2000W, high power).


4. In addition, each switch key has an indicator lamp. You can easily see whether the appliance power modes are activated at a particular moment. If a key lamp glows, this means that the water heater is switched to a power mode.

5. Remember that a lower power mode of the working appliance allows it to consume lesser electricity, but on the other hand a lower power mode results in slower water heating. Select the desired power mode according to your individual preferences of water heating speed and electricity consumption.

6. Turning the thermostat knob clockwise, you increase the desired temperature of water heating. The maximum value approximately corresponds to +75°C (desired water temperature in the internal tank of the water heater). If you want to decrease the temperature of water heating, turn the knob counterclockwise.

7. Setting the thermostat knob to «  » position, you select the "Optimum" mode, which corresponds to the most comfortable temperature of water heating in the tank (+58°C (±2°C)) and to the most effective mode of electricity consumption.

8. You can easily determine whether the appliance is heating water at a particular moment or not. When water heating is active, the "HEATING" indicator glows on the control panel. If this indicator is extinguished, water heating is not performed.

9. To switch the working water heater off, turn the thermostat knob counterclockwise up to the stop and set both switch keys on the control panel to «  » position. The water heater will stop operation. But if you do not remove the plug from the receptacle at that, the "Timberk" indicator will continue glowing on the control panel notifying you that the appliance is still connected to the electric mains.

It is recommended to always disconnect the water heater from the electric mains, if you do not plan to use the appliance for some time.

9. MAINTENANCE

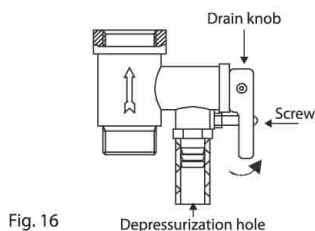
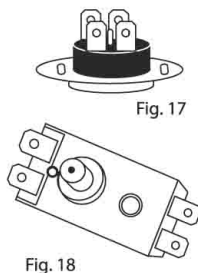


Fig. 16



1. Check the power plug and outlet as often as possible. Secure electrical contact and also proper grounding must be provided. The plug and outlet must not heat excessively.

2. If the water heater is not used for a long time, especially in regions with low air temperature (below 0°C), it is necessary to drain water from the heater to prevent damage of the water heater (due to water freezing in the

innertank).

3. To ensure long reliable water heater operation, it is recommended to regularly clean the internal tank and remove deposits on the electric heating element of the water heater, as well as check condition (fully decomposed or not) of the magnesium anode and, if necessary, replace it with a new one in case of full decomposition.

Tank cleaning frequency depends on hardness of water located in this territory. Cleaning must be performed by special maintenance services. You can ask the seller for address of the nearest service center or find it on the website www.timberk.com.



IMPORTANT!

The manufacturer provides an extended guarantee for particular water heater components provided that timely and proper routine maintenance is performed by specialists of an authorized service center (see the guarantee card).

4. Preventive operations must be performed upon strict observance of the operation manual and safety precautions.

5. The water heater is equipped with a thermal switch, which cuts off power supply of the heating element upon water overheating or its absence in the water heater. If the water heater is connected to the mains, but water is not heated and the indicator doesn't light up, then the thermal switch was switched off or not switched on. To reset the water heater to the operating condition, it is necessary to:

- de-energize the water heater, remove the plate of the side / lower cover for horizontal-type/vertical-type water heater respectively.

- for MS2 series horizontal-type water heaters: press the button, located in the center of the thermal switch, placed near the heating element (with a round shape), until it clicks, Fig.15;

- for RS1/RS2/RS7 series water heaters: unscrew retaining nut of the thermal switch, fastened on the flange of the heating element, turn over the thermal switch and press the button, located in the center of the thermal switch, until it clicks, Fig.16;

- if the button cannot be pressed and there is no clicking, then you should wait until the thermal switch cools down to the initial temperature.

! IMPORTANT!

If these actions had no positive result or the thermal switch turns off repeatedly during a short period of time, then you should de-energize the water heater, cut off water supply and contact your local Timberk Authorized Service Center for a consult or repair of the appliance.

6. To drain water from the internal tank properly, you need to use the drain hole (only for RS2/MS2 line) (it is necessary to unscrew a plug, covering the drain hole), water can also be drained through a composite relief valve (Fig. 14) (unscrew the composite relief valve drain knob screw and set the drain knob to the upper position, at that hot water tap must be open, and cold water supply valve must be closed).

! IMPORTANT!

Never drain water if its temperature is over 50°C since it may result in burns.

7. Bear in mind to check serviceability of the relief valve every 14 days – inspection method:

- turn the discharge lever to the left up until you feel the change of thread, then water must start flowing from the valve's hole. After checking the water flow, return the lever to its initial position.

! IMPORTANT!

If water doesn't flow, then the valve is damaged. In this case you must not use the heater and it is recommended to call for a service technician.

8. If necessary, wipe external surfaces of the heater by a damp cloth with soap.

10. TROUBLESHOOTING

Table 6

Possible malfunctions and troubleshooting methods

FAILURE	POSSIBLE CAUSES	TROUBLESHOOTING METHOD
Heating indicator light doesn't light up, water is not heated	1. Temperature adjustment device is broken. 2. Temperature limiter was actuated or was not switched on. 3. Temperature limiter is broken.	Contact a repairer, TIMBERK service center. Switch on the temperature switch following instructions on its activation. (page 15) Contact a repairer, TIMBERK service center.
Water doesn't flow from the hot water discharge cock	1. Water feed is cut off. 2. Water pressure is too low. 3. Water supply exhaust valve is closed.	1. Wait until water supply is restored. 2. Switch on the water heater again, when normal water pressure restores.
Water temperature is too high	Water temperature control system is damaged.	Contact a repairer, TIMBERK service center.
Water leakage	Seal at the point of pipe connection is broken.	Replace the joint seal.
Water flows from the appliance's case	Breaking of the internal tank (corrosion)/Seal at the point of the heating element connection is broken.	Contact a repairer, TIMBERK service center.
Heating indicator light lights up but water is not heated	1. Temperature adjustment device is broken. 2. Insufficient time for heating. 3. Heating element is broken.	1. Contact a repairer, TIMBERK service center. 2. Wait until water is heated. 3. Contact a repairer, TIMBERK service center.

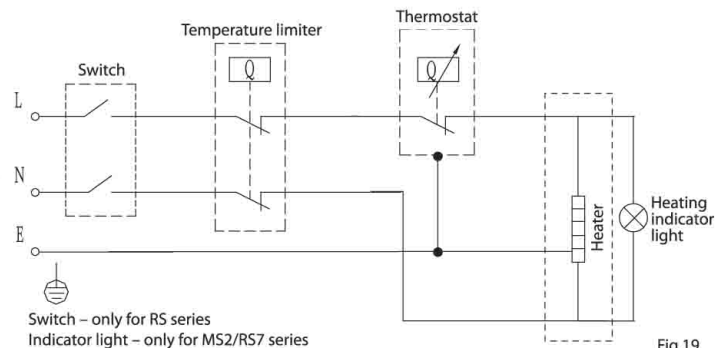
11. WIRING DIAGRAM

Fig.19

**NOTE:**

Technical and any other characteristics of the appliance can be revised. Such changes may be introduced without warning and prior notice to the consumers.

The manufacturer shall not be liable for changes in the appliance's wiring diagram that may be implemented without notice to the consumers.

**IMPORTANT!**

To ensure reliable operation and safe use of the water heater, prior to the first activation check if it is correctly connected to 230V alternating voltage mains. The water heater to be connected must be securely connected to an earth circuit of your electric mains.

Timberk disclaims any liability for possible damage, directly or indirectly caused by Timberk products to people, pets, property in case if it occurred as a result of failure to observe rules and conditions of operation, unit's installation, deliberate or careless actions of the consumer or third parties.

The tank water heater is not intended to be used by children, old or disabled people without supervision. Make sure to use the water heater carefully, do not switch between modes abruptly, closely follow recommendations, set forth in this operation manual. Children nearby the fan heater must be supervised by adults and must never use the unit playing games.

GUARANTEE CARD IS ENCLOSED IN THE PRODUCT PACKAGE**12. DISPOSAL**

The water heater should be disposed upon the end of life. You can obtain detailed information on water heater disposal from a representative of local authorities.

СОДЕРЖАНИЕ

1. Важная информация.....	15
2. Меры предосторожности.....	15
3. Рабочие характеристики.....	16
Технические характеристики.....	16
Размерные характеристики.....	16
4. Описание водонагревателя.....	18
5. Комплект поставки.....	19
6. Установка водонагревателя.....	19
Местоположение.....	19
Способы монтажа водонагревателя.....	20
Монтаж водонагревателя.....	21
Подключение к водопроводной магистрали.....	21
Подключение к электрической сети.....	22
УЗО (устройство защитного отключения).....	22
7. Управление водонагревателем.....	23
8. Обслуживание.....	24
9. Меры предосторожности.....	25
10. Устранение неисправностей.....	26
11. Электрическая принципиальная схема.....	26
12. Утилизация.....	27
13. Информация о сертификации.....	27

Уважаемый покупатель!

Благодарим Вас за удачный выбор. Вы приобрели электрический накопительный водонагреватель Timberk с внутренним резервуаром из нержавеющей стали. Он прослужит Вам долго.

Электрические накопительные водонагреватели Timberk готовят большое количество горячей воды и будут поддерживать заданную температуру автоматически. Они идеально подходят для снабжения горячей водой загородных домов, коттеджей, бань и прочих индивидуальных бытовых помещений.

1. ВАЖНАЯ ИНФОРМАЦИЯ

Просим внимательно ознакомиться с руководством по эксплуатации перед использованием водонагревателя. В данном руководстве по эксплуатации содержится важная информация, касающаяся Вашей безопасности, а также рекомендации по правильному использованию прибора и уходу за ним. Сохраните руководство по эксплуатации вместе с гарантийным талоном, кассовым чеком, по возможности, картонной коробкой и упаковочным материалом. В данном руководстве по эксплуатации описываются разные виды данного типа устройства. Приобретенный Вами водонагреватель может несколько отличаться от описанного в руководстве, что не влияет на способы использования и эксплуатации.

! ВАЖНЫЕ МЕРЫ ПРЕДОСТОРОЖНОСТИ И ИНСТРУКЦИИ, СОДЕРЖАЩИЕСЯ В ДАННОМ РУКОВОДСТВЕ, НЕ ВКЛЮЧАЮТ ВСЕХ ВОЗМОЖНЫХ РЕЖИМОВ И СИТУАЦИЙ, КОТОРЫЕ МОГУТ ВСТРЕЧАТЬСЯ. НЕОБХОДИМО ПОНИМАТЬ, ЧТО ЗДРАВЫЙ СМЫСЛ, ОСТОРОЖНОСТЬ И ТЩАТЕЛЬНОСТЬ ЯВЛЯЮТСЯ ФАКТОРАМИ, КОТОРЫЕ НЕВОЗМОЖНО «ВСТРОИТЬ» НИ В ОДИН ПРОДУКТ. ЭТИ ФАКТОРЫ ДОЛЖЕН УЧИТЫВАТЬ ЧЕЛОВЕК, КОТОРЫЙ ЗАИНТЕРЕСОВАН В НАДЛЕЖАЩЕЙ ЭКСПЛУАТАЦИИ УСТРОЙСТВА. ИЗГОТОВИТЕЛЬ НЕ НЕСЕТ ОТВЕТСТВЕННОСТИ В СЛУЧАЕ ПОВРЕЖДЕНИЯ ПРИБОРА ИЛИ ЕГО ОТДЕЛЬНЫХ ЧАСТЕЙ ВО ВРЕМЯ ТРАНСПОРТИРОВКИ, В РЕЗУЛЬТАТЕ НЕПРАВИЛЬНОЙ УСТАНОВКИ, В РЕЗУЛЬТАТЕ КОЛЕБАНИЙ НАПРЯЖЕНИЯ, А ТАКЖЕ В СЛУЧАЕ, ЕСЛИ КАКАЯ-ЛИБО ЧАСТЬ ПРИБОРА БЫЛА ИЗМЕНЕНА ИЛИ МОДИФИЦИРОВАНА.

2. МЕРЫ ПРЕДОСТОРОЖНОСТИ

При использовании водонагревателя, необходимо соблюдать ряд мер предосторожности. Неправильная эксплуатация в силу игнорирования мер предосторожности может привести к причинению вреда здоровью пользователя и других людей, а также нанесению ущерба их имуществу.

1. Любой электроприбор должен находиться под наблюдением во время его эксплуатации, особенно, если неподалёку от него находятся дети. Внимательно следите за тем, чтобы дети не прикасались к прибору.
2. Перед установкой водонагревателя, не подключая его к электросети, проверьте и убедитесь, что сетевая розетка для водонагревателя имеет контакт заземления и правильно заземлена. При отсутствии заземляющего контура в вашей электросети эксплуатация водонагревателя опасна для жизни.

3. Подключайте водонагреватель только к сети 230В/50Гц. При необходимости выясните характеристики своей сети у поставщиков электроэнергии.
4. Во избежание перегрева и риска возникновения пожара, а также повреждения внутренней электрической сети, не изменяйте длину сетевого шнура и не подключайте водонагреватель через электрические удлинители.
5. Запрещается включать водонагреватель, если он не наполнен водой или если обнаружена непроходимость воды через предохранительный клапан.
6. Никогда не используйте водонагреватель, если он неисправен.
7. Не снимайте крышки водонагревателя во время его работы.
8. Незамедлительно отключите водонагреватель от электрической сети, если от него идут странные звуки, запах или дым.
9. Всегда отключайте водонагреватель от электрической сети во время грозы.
10. Перед началом чистки и технического обслуживания водонагревателя всегда отключайте его от электрической сети. Чистку и техническое обслуживание производите в соответствии с указаниями данного руководства по эксплуатации.
11. Не используйте опасные химические вещества для чистки водонагревателя и не допускайте их попадания на него.
12. Во избежание опасности поражения электрическим током, поврежденный сетевой шнур должен меняться только в авторизованных сервисных центрах изготовителя, квалифицированными специалистами.
13. Во избежание опасности поражения электрическим током не размещайте шнур питания рядом с нагревательными приборами и легковоспламеняющимися или горючими веществами.
14. Поскольку температура воды в водонагревателе может достигать 75°C, при использовании водонагревателя не следует подставлять части тела под горячую воду при первом включении. Для предотвращения ожогов правильно отрегулируйте температуру вытекающей воды.
15. Не используйте водонагреватель, в целях, не предусмотренных этим руководством по эксплуатации.
16. Не используйте водонагреватель во взрывоопасной или коррозионной среде. Не храните рядом с прибором бензин и другие летучие легковоспламеняющиеся жидкости это очень опасно!

17. Запрещено вносить изменения в конструкцию водонагревателя или модифицировать его.

18. Любые сервисные работы должны производиться специализированной организацией, квалифицированными специалистами. Неправильная установка может повлечь за собой отказ в гарантийном обслуживании.

19. Водонагреватель не предназначен для использования лицами (включая детей) с ограниченными физическими, сенсорными или умственными возможностями, обладающими недостаточным опытом и знаниями, если они не находятся под наблюдением и не получили инструкций по использованию устройства от лица, ответственного за их безопасность. Необходимо, следить, чтобы дети не играли с прибором.

3. РАБОЧИЕ ХАРАКТЕРИСТИКИ

1. Полностью автоматическое управление: автоматический нагрев воды, постоянный автоматический контроль температуры воды.

2. Трехступенчатая система защиты 3D Logic®:

DROP Defense – защита от протечки и избыточного давления внутри бака (предохранительный клапан).

SHOCK Defense – защита от утечки электрического тока (УЗО встроено в сетевой шнур прибора).

HOT Defense – двухуровневая защита от перегрева (термостат и ограничитель температуры).

ВСЕ СИСТЕМЫ ЗАЩИТЫ ЯВЛЯЮТСЯ НАДЕЖНЫМИ И БЕЗОПАСНЫМИ

3. Трубки нагревательных элементов спроектированы с учетом большой тепловой нагрузки: безопасные, надежные, с увеличенным сроком службы.

4. Пенополиуретановая NON CFC теплоизоляция увеличенной толщины: отличная тепловая изоляция, которая позволяет эффективно сохранять накопленное тепло и экономить электроэнергию.

5. Температурный контроллер: точное и надежное управление температурой воды.

6. Внутренний резервуар и все внутренние компоненты выполнены из нержавеющей стали SUS 304 с толщиной стенок 1,2 мм.

7. Магнийевый анод для дополнительной защиты бака и шовных соединений.

Технические характеристики

Технические характеристики водонагревателей приведены в таблице 1.

Таблица 1

Наименование	Ед. Изм.	Артикул										
		SWH R51 30 V	SWH R51 50 V	SWH R51 80 V	SWH R51 100 V	SWH R52 30 H	SWH R52 50 H	SWH R52 80 H	SWH MS2 10 H	SWH R57 30 V	SWH R57 40 V	SWH R57 50 V
Номинальное напряжение	В/Гц	230	230	230	230	230	230	230	230	230	230	230
Номинальная сила тока	А	8,7	8,7	8,7	8,7	8,7	8,7	8,7	5,2	8,7	8,7	8,7
Номинальная мощность	Вт	2000	2000	2000	2000	2000	2000	2000	1200	2000	2000	2000
Объем	л	30	50	80	100	30	50	80	10	30	40	50
Номинальное давление	МПа	0,7	0,7	0,7	0,7	0,7	0,7	0,7	0,7	0,7	0,7	0,7
Класс влагозащиты	-	IPX4	IPX4	IPX4	IPX4	IPX4	IPX4	IPX4	IPX4	IPX4	IPX4	IPX4
Время нагрева, при Δ30°C	мин.	18	38	57	71	18	38	57	10 при 25°C	23	33	43
Размеры прибора (вхшхг)	мм	Ø345×606	Ø345×865	Ø410×945	Ø410×1100	Ø345×606	Ø345×865	Ø410×945	Ø220×430	Ø290×750	Ø290×950	Ø290×1160
Вес НЕТТО	кг	7	8,93	13,5	14,7	7	8,93	13,5	3,8	9,5	11,5	13,5



ВНИМАНИЕ!

На дату производства технические характеристики приобретенного Вами водонагревателя соответствуют данным указанным в таблице. Производитель имеет право изменить технические характеристики прибора и его комплектацию без предварительного уведомления об этом.

Размерные характеристики

Размерные характеристики водонагревателя серии MS2 (в мм) согласно рис. 1 приведены в таблице 2.

Таблица 2

	Объем, л	A	B	C	D	E
Серия MS2	10	232	220	470	100	147,5

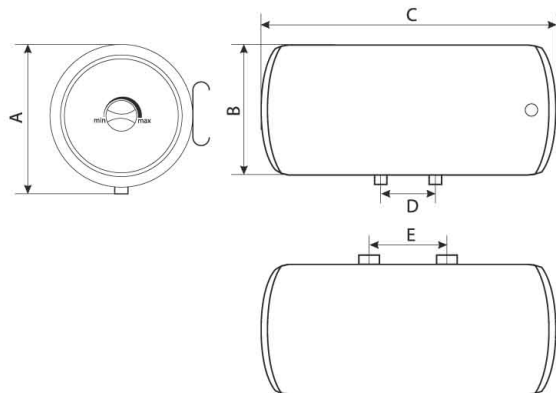


Рис. 1

Размерные характеристики водонагревателя серии RS1 (в мм) согласно рис. 2 приведены в таблице 3.

Таблица 3

Серия RS1	Объем, л	A	B	C	D	E	F
	30	608	624	180	343	8	122,5
	50	848	864	310	343	8	122,5
	80	858	874	425	411	8	158,5
	100	1003	1020	570	411	8	158,5

Размерные характеристики водонагревателя серии RS2 (в мм) согласно рис. 3 приведены в таблице 4.

Таблица 4

Серия RS2	Объем, л	A	B	C	D	E	F
	30	614	356	180	343	8	178
	50	864	356	310	343	8	178
	80	890	426	425	411	8	213,5
	100	1058	426	570	411	8	213,5

Размерные характеристики водонагревателя серии RS7 (в мм) согласно рис. 4 приведены в таблице 5.

Таблица 5

Серия RS7	Объем, л	A	B	C	D	E	F
	30	750	758	320	298	14	77,5
	40	950	958	450	298	14	77,5
	50	1160	1168	600	298	14	77,5

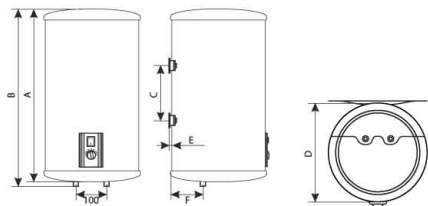


Рис. 2

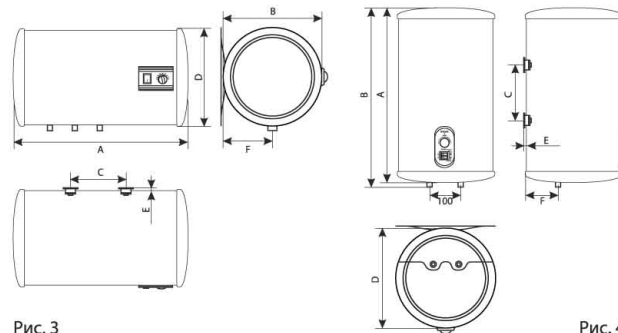


Рис. 3

Рис. 4

4. ОПИСАНИЕ ВОДОНАГРЕВАТЕЛЕЙ Серия RS2 (рис.5)

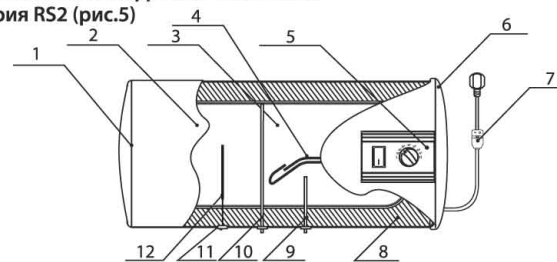
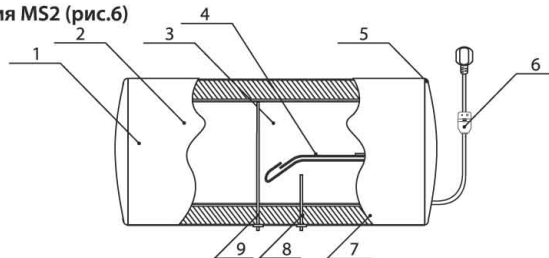


Рис. 5

- 1 - Левая комбинированная защитная крышка
- 2 - Внешний корпус
- 3 - Внутренний резервуар
- 4 - Нагревательный элемент
- 5 - Панель управления
- 6 - Правая комбинированная защитная крышка
- 7 - Сетевой шнур с УЗО
- 8 - Теплоизоляционный слой из пенополиуретана
- 9 - Входной патрубок
- 10 - Патрубок выхода горячей воды
- 11 - Патрубок резервного слива воды
- 12 - Защитный магниевый анод

Серия MS2 (рис.6)



- 1 - Левая комбинированная защитная крышка
- 2 - Внешний корпус
- 3 - Внутренний резервуар
- 4 - Нагревательный элемент
- 5 - Правая комбинированная защитная крышка
- 6 - Сетевой шнур с УЗО
- 7 - Теплоизоляционный слой из пенополиуретана
- 8 - Входной патрубок
- 9 - Патрубок выхода горячей воды

Серия RS1/RS7 (рис.7)

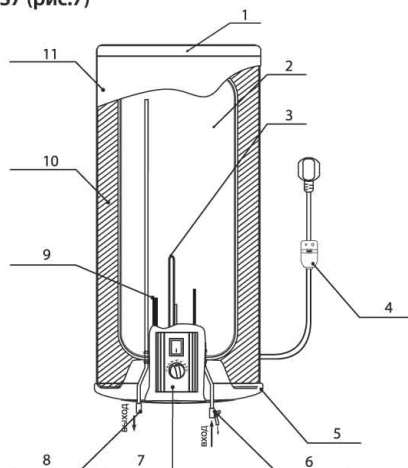


Рис. 6

- 1 - Верхняя комбинированная защитная крышка
- 2 - Внутренний резервуар
- 3 - Нагревательный элемент
- 4 - Сетевой шнур с УЗО
- 5 - Нижняя комбинированная защитная крышка
- 6 - Входной патрубок
- 7 - Панель управления
- 8 - Патрубок выхода горячей воды
- 9 - Защитный магниевый анод
- 10 - Теплоизоляционный слой из пенополиуретана
- 11 - Внешний корпус

5. КОМПЛЕКТ ПОСТАВКИ

1. Водонагреватель - 1 шт.
2. Анкерный болт - 2 шт.*
3. Крепежная планка - 1 шт.**
4. Предохранительный клапан - 1 шт.
5. Сливная трубка - 1 шт.
6. Руководство по эксплуатации - 1 шт.
7. Гарантийный талон - 1 шт.
8. Упаковка - 1 шт.

* -только для серий RS1, RS2, RS7

** -только для серий MS2

6. УСТАНОВКА ВОДОНАГРЕВАТЕЛЯ

Местоположение

1. Электрический водонагреватель следует устанавливать на прочной стене
2. Стена, на которой устанавливается электрический водонагреватель, должна выдерживать, как минимум, двойной вес водонагревателя, полностью заполненного водой, на стене должны отсутствовать трещины и другие повреждения. В противном случае необходимо принять меры для усиления крепления или установить водонагреватель на специальной опоре.
3. Если ванная комната слишком маленькая, водонагреватель можно установить в другом месте, закрытом от прямого солнечного света и недоступном для попадания влаги. Однако для снижения потерь тепла в трубопроводах место установки водонагревателя должно находиться как можно ближе к месту использования горячей воды.

Рис. 7



ВНИМАНИЕ!

Водонагреватель должен быть установлен на вертикальную стену строго в том положении, как указано на рис. 5, 6, 7 (серия RS1/RS7 - в вертикальном положении, RS2/MS2 - в горизонтальном). Установка прибора в любом другом положении или перекос относительно вертикали или горизонтали неизбежно приведет к выходу водонагревателя из строя, созданию аварийной обстановки и рассматривается производителем как негарантийный случай.

Способы монтажа водонагревателя

Способ монтажа водонагревателя для одной точки потребления представлен на рис. 8.

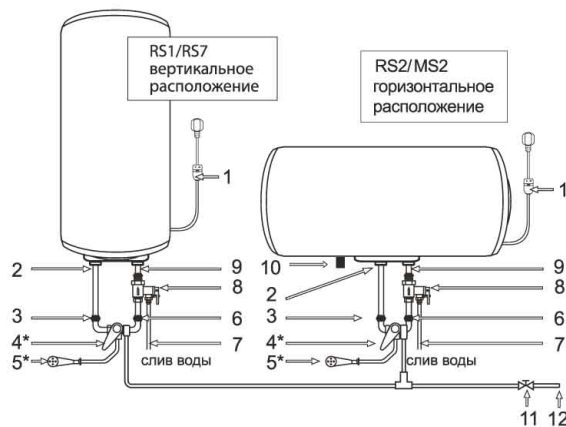


рис. 8

- 1 - Сетевой шнур с вилкой и УЗО**
- 2 - Выходной патрубок
- 3 - Кран регулировки потока горячей воды*
- 4 - Смеситель*
- 5 - Душевая насадка*
- 6 - Кран регулировки потока холодной воды*

- 7 - Сливная трубка
- 8 - Комбинированный предохранительный клапан
- 9 - Входной патрубок
- 10 - Магние́вый анод-патрубок для слива воды (для серии RS2)
- 11 - Отсечной кран водопроводной магистрали*
- 12 - Водопроводная магистраль

* Не входит в комплект поставки

** В зависимости от партии товара УЗО может быть расположено не в составе сетевого шнура

Способы монтажа водонагревателя

Способ монтажа водонагревателя для нескольких точек потребления представлен на рис. 9.

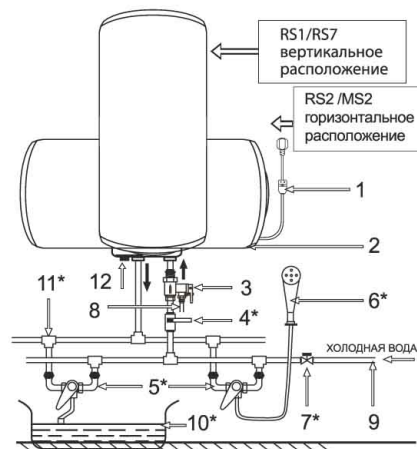


рис. 9

- 1 - Сетевой шнур с вилкой и УЗО**
- 2 - Смонтированный водонагреватель
- 3 - Комбинированный предохранительный клапан
- 4 - Кран входа холодной воды*
- 5 - Смеситель*
- 6 - Душевая насадка*
- 7 - Отсечной кран водопроводной магистрали*
- 8 - Сливная трубка

- 9 - Водопроводная магистраль
- 10 - Ванна *
- 11 - Тройник*
- 12 - Магниеый анод- патрубок для слива воды (для серии RS2)

* Не входит в комплект поставки

** В зависимости от партии товара УЗО может быть расположено не в составе сетевого шнура

Монтаж водонагревателя



ПРИМЕЧАНИЕ:

Пожалуйста, для установки водонагревателя используйте принадлежности, предоставленные производителем. Электрический водонагреватель нельзя крепить на стене до того, как вы убедитесь, что кронштейн установлен надёжно и прочно. В противном случае электрический водонагреватель может упасть со стены, что может привести к его повреждению и даже к серьёзным происшествиям с причинением вреда здоровью и получением травм. При определении точек для отверстий под болты следует предусмотреть свободное пространство между нижней частью водонагревателя и полом, а для серии MS2/RS2 еще и между правой стороной водонагревателя и стеной справа, не менее 0,6 м для обеспечения удобства технического обслуживания при необходимости его проведения.

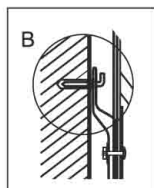


Рис. 10 а

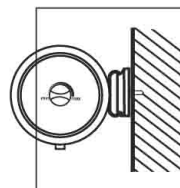


Рис. 10 б

1. Электрический водонагреватель следует устанавливать на прочной стене. Если прочность стены не позволяет удерживать вес, равный двойному весу общего веса водонагревателя, полностью заполненного водой, его следует устанавливать на специальной опоре.
2. После того, как вы выбрали правильное место установки водонагревателя, определите точки для отверстий под анкерные болты с крюками (определяются в соответствии со спецификацией прибора, который вы выбрали). Просверлите в стене два отверстия

соответствующей глубины с использованием сверла, подходящего по размеру под анкерные болты, прилагаемые к водонагревателю.

После чего вставьте болты в просверленные отверстия и поворачивая крюки болтов по часовой стрелке плотно затяните гайки болтов, затем повесьте водонагреватель на крюки анкерных болтов (для серии RS1/RS2/RS7) (рис. 10 а).

Для монтажа водонагревателя серии MS2 закрепите на стене крепежную планку и повесьте на нее водонагреватель (рис. 10 б).

3. Прикрепите сетевую розетку к стене. Требования к розетке следующие: 230V/10А, однофазная, трёхпроводная. Рекомендуется разместить розетку с правой стороны выше водонагревателя.



ПРИМЕЧАНИЕ:

В местах или на стене, куда может попасть вода, высота установки электрической розетки должна быть не менее 1,8 м.

Подключение к водопроводной магистрали

1. Нагреватель подключается к водопроводной сети с давлением минимум 0,1 МПа, максимум 0,7 МПа



ПРИМЕЧАНИЕ:

Водонагреватель является прибором, действующим таким образом, что давление воды в водонагревателе, соответствует давлению воды в водопроводной магистрали. Если в магистрали давление превышает 0,7 МПа, то следует смонтировать перед водонагревателем редуктор давления, чтобы давление не превышало 0,7 МПа.

2. Для подключения водонагревателя к водопроводу применяются трубы диаметром G1/2.

3. Для предотвращения протечки при подсоединении труб используйте резиновые уплотнительные прокладки на резьбовых окончаниях труб.

4. На входной патрубок обозначенный голубым цветом и стрелкой направления течения воды накрутите предохранительный клапан так, чтобы течение воды совпадало с направлением стрелки на корпусе клапана.



ПРИМЕЧАНИЕ:

Между предохранительным клапаном и входным патрубком нельзя монтировать дополнительные приспособления, например, отсечной кран.

5. Нагреватель со смонтированным клапаном подключить к водопроводной сети - в месте подведения воды установить отсечной кран.

6. К выходному патрубку, обозначенному красным цветом, подсоединить желаемое количество точек потребления.

7. Проверить герметичность соединений: открыть отсечной кран и один из разборных кранов. После наполнения резервуара, о чем свидетельствует вытекание воды из разборного крана, закрыть разборный кран и проверить герметичность всех соединений.

ВНИМАНИЕ!

Если вода в месте установки содержит большое количество солей кальция, марганца или железа, то необходимо в подводящей системе смонтировать соответствующий фильтр для снижения количества накипи в резервуаре и на нагревательном элементе.

Подключение к электрической сети

ВНИМАНИЕ!

Перед подключением накопительного водонагревателя убедитесь в том, что водонагреватель заземлен надлежащим образом. Правильное заземление важно для минимизации ударов током и опасности возгорания. Шнур питания оснащён вилкой, с контактом заземления. Устройство должно использоваться с правильно заземленной сетевой розеткой. Если розетка, которую Вы планируете использовать, не заземлена соответствующим образом или защищена предохранителем с задержкой на срабатывание или прерывателем цепи, свяжитесь с квалифицированным электриком для установки правильной розетки.

1. Водонагреватель рассчитан на подключение к электрической сети с однофазным напряжением 230 В. Перед подключением убедитесь, что параметры электросети в месте подключения соответствуют параметрам, указанным на маркировочной табличке с техническими данными прибора. При установке водонагревателя следует соблюдать действующие правила электробезопасности.

2. Электрическая розетка должна быть рассчитана на номинальный ток не ниже 10А, электрический кабель с медной жилой сечением не менее 3х1,5 мм² (для меди).

Электрические розетка и вилка должны всегда оставаться сухими во избежание утечки электрического тока. Регулярно проверяйте, что электрическая вилка плотно подключена к розетке. Проверку проводите в следующем порядке: вставьте электрическую вилку в розетку, через полчаса работы выключите водонагреватель и выньте вилку из розетки, проверьте рукой, не нагрелась ли вилка. Если вилка нагрелась до температуры выше 50°C, возбежание повреждений, происшествий, возникновения пожара в результате плохого электрического контакта замените розетку на другую. Это должен делать специалист.

3. Сетевой шнур прибора представляет собой единый блок с УЗО (Устройство защитного отключения).

ВНИМАНИЕ!

Для обеспечения надежной работы и безопасной эксплуатации водонагревателя перед первым включением проверьте правильность его подсоединения к электрической сети переменного тока 230 В. Подключаемый водонагреватель должен быть надежно соединен с заземляющим контуром вашей электрической сети. Если водонагреватель не будет заземлен, то в случае короткого замыкания УЗО, поставляемое в комплекте, может не сработать. Это опасно.

УЗО (устройство защитного отключения) (рис. 11)

1. Подключите сетевой шнур к сети, индикатор (1) загорится.
2. Для тестирования нажмите кнопку (2), напряжение перестанет подаваться, индикатор (1) погаснет и кнопка перезапуска (3) поднимется вверх.
3. Для перезапуска нажмите кнопку (3), напряжение опять начнет подаваться и индикатор (1) загорится.

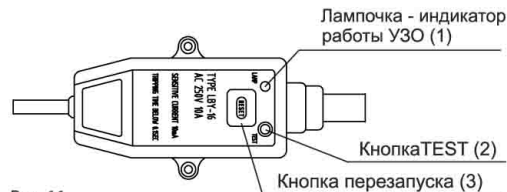


Рис. 11



ПРИМЕЧАНИЕ:

- если при нажатии кнопки тестирования (2) напряжение не отключается и/или индикатор (1) продолжает гореть, это означает, что устройство безопасности УЗО работает некорректно.
- если при нажатии кнопки перезапуска (3) напряжение не подается и/или индикатор (1) не горит, это означает, что водонагреватель работает некорректно. В обоих случаях отключите водонагреватель и позвоните в сервисный центр.
- в целях уменьшения риска поражения током не разбирайте, не удаляйте и не заливайте жидкостью данное устройство.

7. УПРАВЛЕНИЕ ВОДОНАГРЕВАТЕЛЕМ

Панель управления для моделей

SWH RS1 30 V

SWH RS1 50 V

SWH RS1 80 V

SWH RS1 100 V

максимальная мощность

I - 2000 Вт



Выключатель

Ручка термостата

Рис. 12

* Производитель может менять цвет и дизайн панелей приборов без специального уведомления.

Панель управления для моделей

SWH RS2 30 H

SWH RS2 50 H

SWH RS2 80 H

максимальная мощность

I - 2000 Вт



Ручка термостата

Выключатель

Рис. 13

Панель управления для моделей

SWH RS7 30 V

SWH RS7 40 V

SWH RS7 50 V



Индикатор нагрева

Ручка термостата

Выключатель

Рис. 14

Панель управления для модели
SWH MS2 10 H

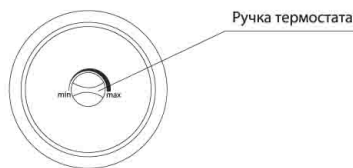


рис.15

8. ЭКСПЛУАТАЦИЯ ВОДОНАГРЕВАТЕЛЯ

Серия RS1/RS2/MS2

1. Сначала откройте один из выпускных кранов на выходе из водонагревателя, затем откройте впускной кран. Электрический водонагреватель начнёт заполняться водой. Когда из выпускного крана свободно вытекает вода, это означает, что водонагреватель полностью заполнился водой и выпускной кран можно закрыть. Предупреждение: Во время обычной работы впускной кран должен быть установлен в положение «open» («открыт».)
2. Вставьте электрическую вилку в розетку, при этом должна загореться индикаторная лампочка на УЗО.



ВНИМАНИЕ!

Электрическая розетка должна быть рассчитана на номинальный ток не ниже 10А, электрический кабель с медной жилой сечением не менее 3х1,5 мм² (для меди). Электрическая вилка прибора представляет собой единый блок с УЗО.

3. Данный прибор может автоматически контролировать температуру воды. Когда температура воды внутри водонагревателя достигает установленной пользователем температуры, подогрев автоматически выключится и температура воды будет поддерживаться за счёт теплоизоляционного слоя; когда температура воды понизится до определённого уровня, подогрев включится автоматически и восстановит нужную температуру воды, таким образом обеспечивается непрерывная подача горячей воды. Когда водонагреватель автоматически выключится, индикаторная лампочка нагрева погаснет.

Серия RS7

1. Сначала откройте один из выпускных кранов на выходе из водонагревателя, затем откройте впускной кран. Электрический водонагреватель начнёт заполняться водой. Когда из выпускного

крана свободно вытекает вода, это означает, что водонагреватель полностью заполнился водой и выпускной кран можно закрыть. Предупреждение: Во время обычной работы впускной кран должен быть установлен в положение «open» («открыт».)


2. Вставьте электрическую вилку в розетку, при этом должна загореться индикаторная лампочка на УЗО и логотип «Timberk» на панели управления.




ВНИМАНИЕ!

Электрическая розетка должна быть рассчитана на номинальный ток не ниже 10А, электрический кабель с медной жилой сечением не менее 3х1,5 мм² (для меди). Электрическая вилка прибора представляет собой единый блок с УЗО.

Описание работы контрольной панели

3. С помощью клавиш выключателя вы можете выбрать один из режимов мощности работы прибора. Верхняя клавиша соответствует средней мощности «NORMAL» (1200 Вт), нижняя клавиша соответствует низкой мощности «ENERGY SAVE» (800 Вт), две клавиши, нажатые одновременно, соответствуют высокой мощности «EXPRESS HEAT» (2000 Вт).
4. Дополнительно в каждой клавише выключателя находится лампочка-индикатор. Вы можете легко увидеть, активированы ли в данный момент режимы мощности работы прибора – если лампочка внутри клавиши светится, то это значит, что вы «включили» тот или иной режим мощности водонагревателя.
5. Помните, что чем ниже уровень мощности работающего прибора, тем экономнее вы расходуете электроэнергию, но, с другой стороны, при меньшем уровне мощности нагрев воды происходит медленнее. Выбирайте нужный вам уровень мощности в соответствии с вашими индивидуальными предпочтениями скорости нагрева воды и расхода электроэнергии.
6. Поворачивая ручку термостата по часовой стрелке, вы увеличиваете желаемую температуру нагрева воды. Максимальное значение соответствует примерно +750С (желаемая температура воды во внутреннем резервуаре водонагревателя). Если вы хотите уменьшить температуру нагрева воды, то поворачивайте ручку против часовой стрелки.
7. Установив ручку терморегулятора в положении «» вы выберите режим «Optimum», который соответствует наиболее комфортной температуре нагрева воды в баке (+580С (±20С)), а также наиболее эффективному режиму расхода электроэнергии.

8. Вы можете легко определить, нагревает прибор воду в настоящий момент или нет. Процесс нагрева воды сопровождается одновременной работой индикатора «HEATING» на панели управления. Если этот индикатор погас, то нагрев воды не производится.

9. Чтобы выключить работающий водонагреватель, поверните ручку терморегулятора против часовой стрелки до упора и установите обе клавиши выключателя на панели управления в положение «». Водонагреватель прекратит свою работу. Но, если вы не вынимаете при этом вилку из розетки, то индикатор Timberk будет продолжать светиться на панели управления, предупреждая вас о том, что прибор все еще подключен к электрической сети.

Рекомендуется всегда отключать водонагреватель от электрической сети, если вы не планируете использовать прибор какое-то время.

9. ОБСЛУЖИВАНИЕ

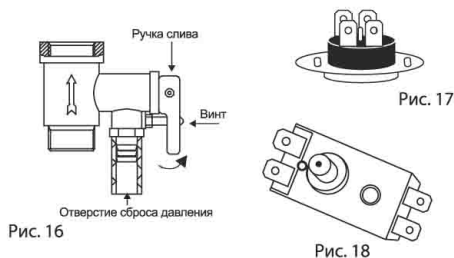


Рис. 16

Рис. 17

Рис. 18

1. Проверяйте электрические вилку и розетку как можно чаще. Должен быть обеспечен надёжный электрический контакт, а также правильное заземление. Вилка и розетка не должны чрезмерно нагреваться.
2. Если водонагреватель не используется продолжительное время, особенно в регионах с низкой температурой воздуха (ниже 0°C), для предотвращения повреждения водонагревателя (по причине замерзания воды во внутреннем резервуаре), воду из нагревателя следует слить.
3. Чтобы обеспечить надёжную работу водонагревателя в течение длительного времени, рекомендуется периодически чистить внутренний резервуар и убирать отложения на электрических нагревательных элементах водонагревателя, а также нужно периодически проверять состояние (полностью разложен или нет) магниевго анода, чтобы своевременно заменить его на новый, в случае его полного разложения.

Частота чистки бака зависит от жесткости воды, которая находится на данной территории. Чистку должны проводить специальные сервисные службы. Адрес ближайшего сервисного центра можно узнать у продавца или на сайте www.timberk.ru.

ВНИМАНИЕ!

Производитель предоставляет увеличенную гарантию на отдельные компоненты водонагревателя при условии своевременного и правильного проведения периодического технического обслуживания прибора специалистами авторизованного сервисного центра (см. гарантийный талон).

4. Профилактические работы должны производиться при строгом соблюдении инструкции по эксплуатации и техники безопасности.
5. Водонагреватель оснащен термовыключателем, который прекратит подачу электроэнергии к ТЭНу, при перегреве воды или ее отсутствии в водонагревателе. Если водонагреватель включен в сеть, но не происходит нагрев воды и не горит индикаторная лампа, значит отключился или не был включен термовыключатель. Для возврата водонагревателя в рабочее состояние необходимо:
 - отключить питание от электронагревателя, снять накладку боковой/нижней крышки для горизонтального/вертикального водонагревателя соответственно;
 - для горизонтальных водонагревателей серии MS2: нажать до щелчка кнопку, расположенную по центру термовыключателя, который находится рядом с ТЭНом (имеет круглую форму), рис.17;
 - для водонагревателей серий RS1/RS2/RS7: открутить гайку крепления термовыключателя, закрепленного на фланце ТЭНа, перевернуть термовыключатель и нажать до щелчка кнопку, расположенную по центру термовыключателя рис.18;
 - если кнопка не нажимается и нет щелчка, то подождать пока термовыключатель остынет до исходной температуры.

ВНИМАНИЕ!

Если данные действия не дали положительного результата или отключение термовыключателя происходит неоднократно в течение короткого промежутка времени, тогда следует отключить питание водонагревателя, перекрыть подачу воды в водонагреватель и обратиться в Авторизованный Сервисный Центр Timberk в Вашем регионе для получения консультации или ремонта изделия.

6. Чтобы правильно слить воду из внутреннего бака, надо воспользоваться сливным отверстием (только для серии RS2) (для этого открутите заглушку, закрывающую сливное отверстие), такжеводу можно слить через комбинированный предохранительный клапан (рис.16) (для этого открутите винт ручки слива комбинированного предохранительного клапана и переведите ручку слива в верхнее положение, при это кран выхода горячей воды должен быть открыт, а кран подачи холодной воды в водонагреватель должен быть перекрыт).

ВНИМАНИЕ!

Никогда не сливайте воду, если её температура выше 50°C, т.к. это может привести к ожогам

7. Помните о контрольных проверках исправности действия предохранительного клапана каждые 14 дней - способ проверки: -перевести ручку слива в верхнее положение до ощущения перехода резьбы и тогда из отверстия клапана должна потечь вода. После проверки вытекания воды верните ручку в предыдущее

ВНИМАНИЕ!

Если вода не потечет, то клапан испорчен. В этом случае нельзя пользоваться нагревателем и рекомендуется вызвать сервисного мастера.

8. Наружные поверхности нагревателя по мере необходимости протирать влажной тряпочкой с мылом.

10. УСТРАНЕНИЕ НЕИСПРАВНОСТЕЙ

Таблица 6 Возможные неисправности и методы их устранения

ПРОБЛЕМА	ВОЗМОЖНЫЕ ПРИЧИНЫ	СПОСОБ УСТРАНЕНИЯ
Индикаторные лампочки не горят, вода не греется	1. Повреждение устройства регулирования температуры.	1. Обратиться к специалисту по ремонту, в сервисный центр Timberk
	2. Сработало или не было включено устройство ограничения температуры.	2. Включите термовыключатель, следуя инструкции по его включению.
	3. Повреждение устройства ограничения температуры.	3. Обратиться к специалисту по ремонту, в сервисный центр Timberk
Из крана выхода горячей воды не течёт вода	1. Отключена подача воды.	1. Подождать восстановления подачи воды.
	2. Слишком низкое давление воды.	2. Включить водонагреватель снова, когда восстановится нормальное давление воды.
	3. Закрыт кран подачи холодной воды	3. Открыть кран подачи холодной воды

Температура воды слишком высокая	Повреждение системы контроля температуры воды.	Обратиться к специалисту по ремонту, в сервисный центр Timberk
Протечка воды	Нарушено уплотнение в месте подключения труб.	Заменить уплотнение соединения.
Вода течет из корпуса прибора	1. Разрушение внутреннего бака (коррозия)	Обратиться к специалисту по ремонту, в сервисный центр Timberk
	2. Нарушено уплотнение в месте присоединения нагревательного элемента	
Индикаторная лампочка нагрева горит, но вода не греется	1. Повреждение устройства регулирования температуры.	1. Обратиться к специалисту по ремонту, в сервисный центр Timberk
	2. Недостаточно времени для нагрева.	2. Подождать, пока вода нагреется.
	3. Повреждение нагревательного элемента.	3. Обратиться к специалисту по ремонту, в сервисный центр Timberk

11. ЭЛЕКТРИЧЕСКАЯ ПРИНЦИПАЛЬНАЯ СХЕМА

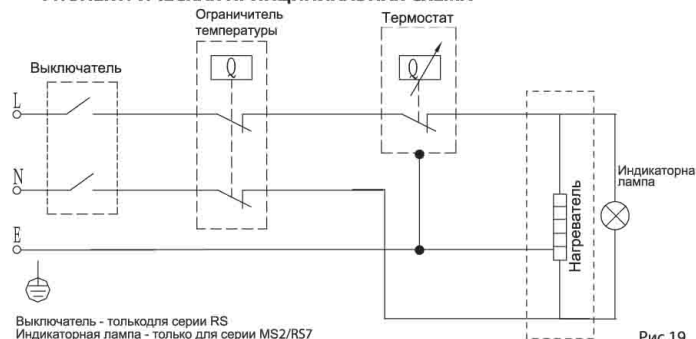


Рис.19

ПРИМЕЧАНИЕ:

Производитель имеет право вносить в устройство прибора любые изменения, улучшающие его технические и иные характеристики. Данные изменения могут быть внесены без предупреждения и предварительного уведомления потребителей.

Производитель не несет ответственности за изменение электросхемы изделия, которое может быть выполнено без уведомления потребителя.

**ВНИМАНИЕ!**

Для обеспечения надежной работы и безопасной эксплуатации водонагревателя перед первым включением проверьте правильность его подсоединения к электрической сети переменного тока 230 В. Подключаемый водонагреватель должен быть надежно соединен с заземляющим контуром вашей электрической сети. Если водонагреватель не будет заземлен, то в случае короткого замыкания УЗО, поставляемое в комплекте, может не сработать. Это опасно.

Timberk снимает с себя любую ответственность за возможный вред, прямо или косвенно нанесенный продукцией Timberk людям, домашним животным, имуществу в случае, если это произошло в результате несоблюдения правил и условий эксплуатации, установки изделия, умышленных или неосторожных действий потребителя или третьих лиц.

Накопительный водонагреватель не предназначен для бесконтрольного использования детьми, пожилыми или недееспособными людьми. Эксплуатируйте водонагреватель бережно, не переключайте резко режимы и не включайте/выключайте быстро функции, строго следуйте рекомендациям, изложенным в данной инструкции по эксплуатации. Дети, находящиеся вблизи водонагревателя, должны быть под наблюдением взрослых, и ни в коем случае не использовать прибор, как элемент игры.

ГАРАНТИЙНЫЙ ТАЛОН ВЛОЖЕН В УПАКОВКУ ИЗДЕЛИЯ**12. УТИЛИЗАЦИЯ**

По окончании срока службы водонагреватель следует утилизировать. Подробную информацию по утилизации водонагревателя Вы можете получить у представителя местного органа власти.

13. ИНФОРМАЦИЯ О СЕРТИФИКАЦИИ**Изделие соответствует директиве ЕЕС 89/336, касающейся электромагнитного оборудования**

Гарантируется безотказная работа изделия в соответствии со сроками, указанными в гарантийном талоне. Обязательно ознакомьтесь с условиями гарантии и требуйте от продавца правильного и четкого заполнения гарантийного талона.

Гарантийный талон вложен в упаковку изделия**Товар сертифицирован на территории России органом по сертификации: per. № РОСС RU.0001.11AB71 ПРОДУКЦИИ ООО «ОПТИМАТЕСТ».**

Фактический адрес: 123308, г. Москва, ул. Мневники, д. 3, корп. 1, оф. 323; Юридический адрес: 115162, г. Москва, Павла Андреева ул., дом №28, корпус 4, тел. +7 495 6044266, факс +7 495 6044266

Орган по сертификации может обновляться ежегодно. При отсутствии копии нового сертификата в коробке, спрашивайте копию у продавца

Товар соответствует требованиям нормативных документов:

ГОСТ Р МЭК 60335-2-35-2000

ГОСТ Р 51318.14.1-2006 р.4

ГОСТ Р 51318.14.2-2006 р.5,7

ГОСТ Р 51317.3.3-2008

ГОСТ Р 51317.3.2-2006 р.6,7

№ сертификата: RU C-IL.AB71.B.00051

Сертификат обновляется ежегодно. При отсутствии копии нового сертификата в коробке, спрашивайте копию у продавца

Срок действия: с 09.02.2012 до 08.02.2015

Изготовитель*:

«Тимберк Хоум Хиатинг Эпплаенсис Компани» Хамасгер стрит, 10, Эйлат, Израиль 88000

Телефон/факс +972-8-637-88-311

Импортер*:

ООО «Гольфстрим» Адрес: г.Москва, ул. Кожевническая, дом 1, стр.1, офис 606

Телефон/факс (499) 638-26-77

По вопросам сервисной поддержки и качества приобретенного товара просьба обращаться по телефону:

+7 (495) 6275285

** Данные могут быть изменены в связи со сменой производителя, продавца, производственного филиала и/или импортера в РФ и/или страны ЕТС. Актуальную информацию Вы можете получить из содержания действующего на момент продажи сертификата соответствия, а также из данных этикетки, которой маркируется упаковка изделия до даты последующей продажи дистрибьютором на территории РФ или стран ЕТС.*

timberk

www.timberk.com

www.timberk.ru

